

Robert Bosch Power Tools GmbH
70538 Stuttgart
GERMANY

www.bosch-pt.com

1 609 92A 1V8 (2015.01) T / 46 ASIA



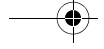
1 609 92A 1V8

GSA 18 V-LI Professional

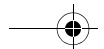


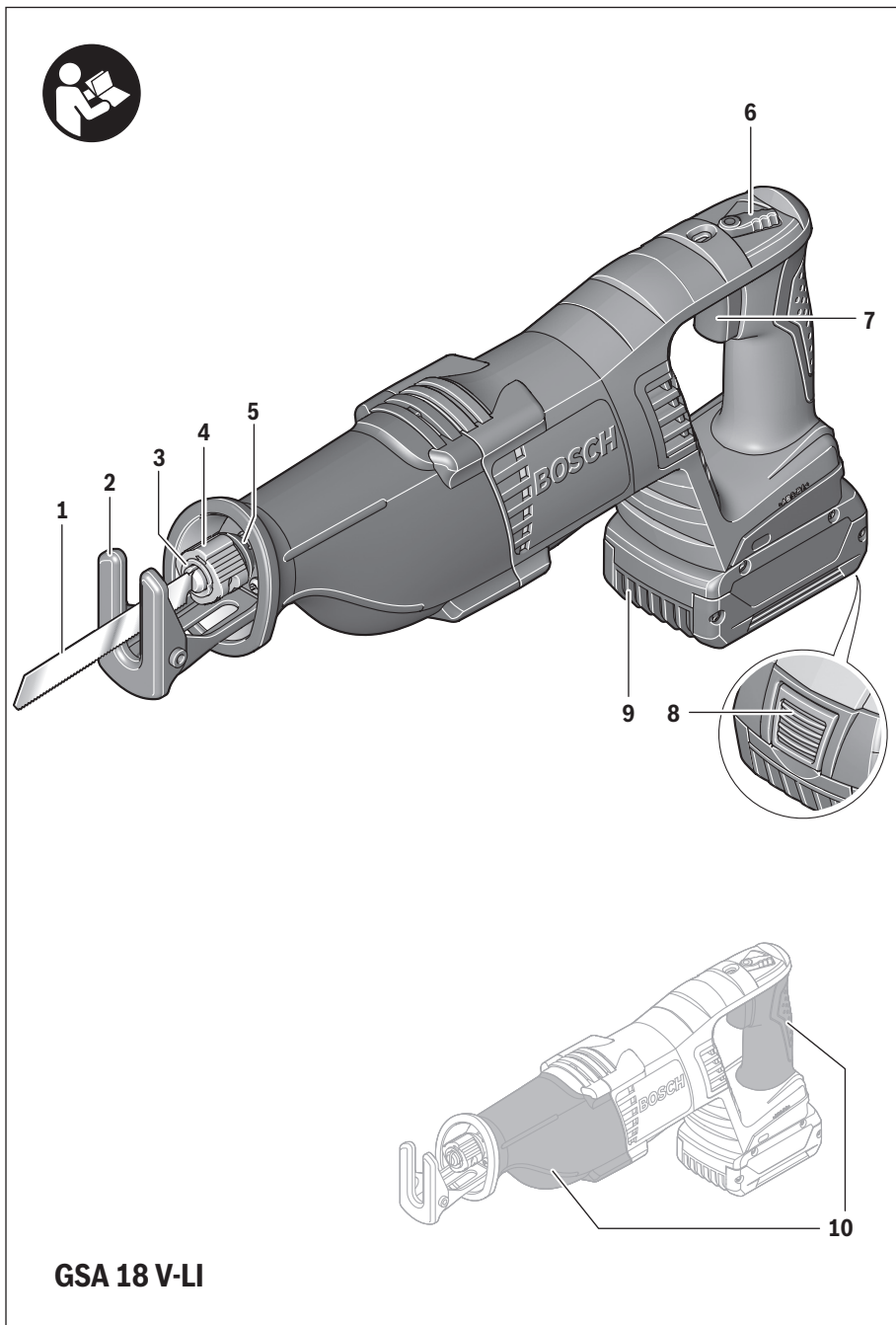
- en** Original instructions
- cn** 正本使用说明书
- tw** 原始使用說明書
- ko** 사용 설명서 원본
- th** หนังสือคู่มือการใช้งานฉบับต้นแบบ
- id** Petunjuk-Petunjuk untuk Penggunaan Orisinal
- vi** Bản gốc hướng dẫn sử dụng

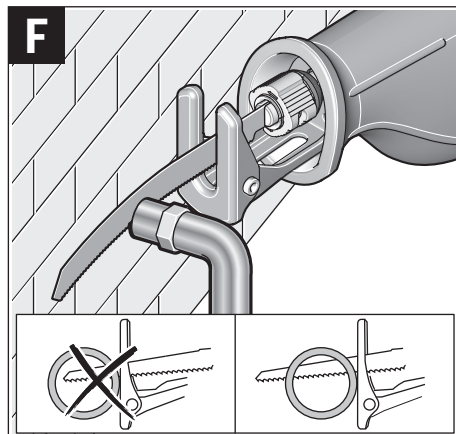
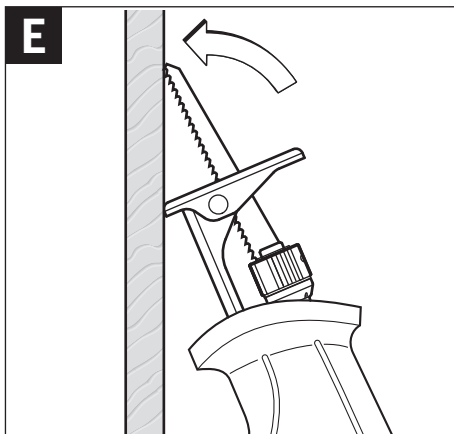
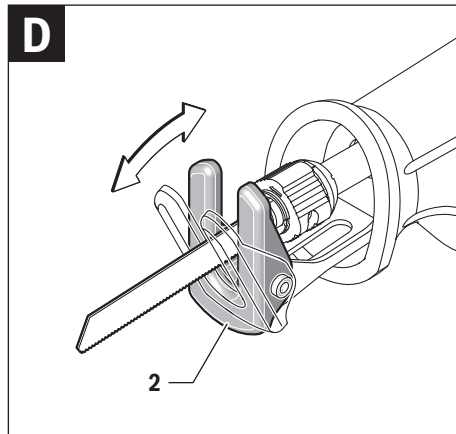
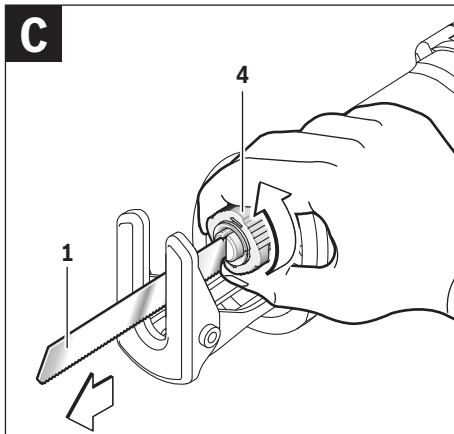
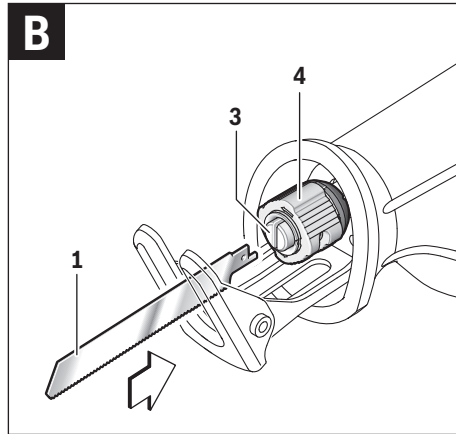
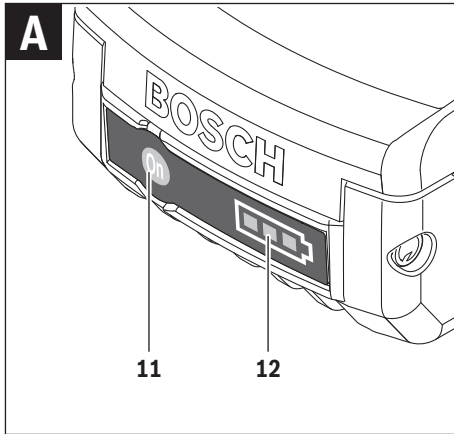




English Page 6
 中文 页 12
 中文 頁 16
 한국어 페이지 21
 ภาษาไทย..... หน้า 27
 Bahasa Indonesia Halaman 32
 Tiếng Việt Trang 38







The diagram illustrates six different types of Bosch saw blades and their intended uses:

- HCS High carbon steel:** Shown with a saw blade labeled "PROGRESSOR Wood". The application icon shows a cross-section of wood.
- BIM Bi-Metal:** Shown with a saw blade labeled "PROGRESSOR Metal". The application icon shows a cross-section of metal.
- BIM Bi-Metal:** Shown with a saw blade labeled "flexible Metal". The application icon shows a cross-section of metal.
- BIM Bi-Metal:** Shown with a saw blade labeled "endurance heavyMetal". The application icon shows a cross-section of metal and a "DEMOLITION" icon.
- BIM Bi-Metal:** Shown with a saw blade labeled "PROGRESSOR WoodMetal". The application icons show a cross-section of metal, a cross-section of wood, and a "FIBREGLASS" icon.

English

Safety Notes

General Power Tool Safety Warnings

⚠ WARNING Read all safety warnings and all instructions. Failure to follow the warnings and instructions may result in electric shock, fire and/or serious injury.

Save all warnings and instructions for future reference.

The term "power tool" in the warnings refers to your mains-operated (corded) power tool or battery-operated (cordless) power tool.

Work area safety

- ▶ **Keep work area clean and well lit.** Cluttered or dark areas invite accidents.
- ▶ **Do not operate power tools in explosive atmospheres, such as in the presence of flammable liquids, gases or dust.** Power tools create sparks which may ignite the dust or fumes.
- ▶ **Keep children and bystanders away while operating a power tool.** Distractions can cause you to lose control.

Electrical safety

- ▶ **Power tool plugs must match the outlet. Never modify the plug in any way. Do not use any adapter plugs with earthed (grounded) power tools.** Unmodified plugs and matching outlets will reduce risk of electric shock.
- ▶ **Avoid body contact with earthed or grounded surfaces, such as pipes, radiators, ranges and refrigerators.** There is an increased risk of electric shock if your body is earthed or grounded.
- ▶ **Do not expose power tools to rain or wet conditions.** Water entering a power tool will increase the risk of electric shock.
- ▶ **Do not abuse the cord. Never use the cord for carrying, pulling or unplugging the power tool. Keep cord away from heat, oil, sharp edges and moving parts.** Damaged or entangled cords increase the risk of electric shock.
- ▶ **When operating a power tool outdoors, use an extension cord suitable for outdoor use.** Use of a cord suitable for outdoor use reduces the risk of electric shock.
- ▶ **If operating a power tool in a damp location is unavoidable, use a residual current device (RCD) protected supply.** Use of an RCD reduces the risk of electric shock.

Personal safety

- ▶ **Stay alert, watch what you are doing and use common sense when operating a power tool. Do not use a power tool while you are tired or under the influence of drugs, alcohol or medication.** A moment of inattention while operating power tools may result in serious personal injury.
- ▶ **Use personal protective equipment. Always wear eye protection.** Protective equipment such as dust mask, non-skid safety shoes, hard hat, or hearing protection used for appropriate conditions will reduce personal injuries.

- ▶ **Prevent unintentional starting. Ensure the switch is in the off-position before connecting to power source and/or battery pack, picking up or carrying the tool.**

Carrying power tools with your finger on the switch or energising power tools that have the switch on invites accidents.

- ▶ **Remove any adjusting key or wrench before turning the power tool on.** A wrench or a key left attached to a rotating part of the power tool may result in personal injury.
- ▶ **Do not overreach. Keep proper footing and balance at all times.** This enables better control of the power tool in unexpected situations.
- ▶ **Dress properly. Do not wear loose clothing or jewellery. Keep your hair, clothing and gloves away from moving parts.** Loose clothes, jewellery or long hair can be caught in moving parts.
- ▶ **If devices are provided for the connection of dust extraction and collection facilities, ensure these are connected and properly used.** Use of dust collection can reduce dust-related hazards.

Power tool use and care

- ▶ **Do not force the power tool. Use the correct power tool for your application.** The correct power tool will do the job better and safer at the rate for which it was designed.
- ▶ **Do not use the power tool if the switch does not turn it on and off.** Any power tool that cannot be controlled with the switch is dangerous and must be repaired.
- ▶ **Disconnect the plug from the power source and/or the battery pack from the power tool before making any adjustments, changing accessories, or storing power tools.** Such preventive safety measures reduce the risk of starting the power tool accidentally.
- ▶ **Store idle power tools out of the reach of children and do not allow persons unfamiliar with the power tool or these instructions to operate the power tool.** Power tools are dangerous in the hands of untrained users.
- ▶ **Maintain power tools. Check for misalignment or binding of moving parts, breakage of parts and any other condition that may affect the power tool's operation. If damaged, have the power tool repaired before use.** Many accidents are caused by poorly maintained power tools.
- ▶ **Keep cutting tools sharp and clean.** Properly maintained cutting tools with sharp cutting edges are less likely to bind and are easier to control.
- ▶ **Use the power tool, accessories and tool bits etc. in accordance with these instructions, taking into account the working conditions and the work to be performed.** Use of the power tool for operations different from those intended could result in a hazardous situation.

Battery tool use and care

- ▶ **Recharge only with the charger specified by the manufacturer.** A charger that is suitable for one type of battery pack may create a risk of fire when used with another battery pack.

- ▶ **Use power tools only with specifically designated battery packs.** Use of any other battery packs may create a risk of injury and fire.
- ▶ **When battery pack is not in use, keep it away from other metal objects, like paper clips, coins, keys, nails, screws or other small metal objects, that can make a connection from one terminal to another.** Shorting the battery terminals together may cause burns or a fire.
- ▶ **Under abusive conditions, liquid may be ejected from the battery; avoid contact. If contact accidentally occurs, flush with water. If liquid contacts eyes, additionally seek medical help.** Liquid ejected from the battery may cause irritation or burns.

Service

- ▶ **Have your power tool serviced by a qualified repair person using only identical replacement parts.** This will ensure that the safety of the power tool is maintained.

Safety Warnings for Sabre Saws

- ▶ **Hold power tool by insulated gripping surfaces, when performing an operation where the cutting accessory may contact hidden wiring.** Cutting accessory contacting a "live" wire may make exposed metal parts of the power tool "live" and could give the operator an electric shock.
- ▶ **Keep hands away from the sawing range. Do not reach under the workpiece.** Contact with the saw blade can lead to injuries.
- ▶ **Apply the machine to the workpiece only when switched on.** Otherwise there is danger of kickback when the cutting tool jams in the workpiece.
- ▶ **When sawing, the adjustable footplate 2 must always faces against the workpiece.** The saw blade can become wedged and lead to loss of control over the machine.
- ▶ **When the cut is completed, switch off the machine and then pull the saw blade out of the cut only after it has come to a standstill.** In this manner you can avoid kickback and can place down the machine securely.
- ▶ **Use only undamaged saw blades that are in perfect condition.** Bent or dull saw blades can break, negatively influence the cut, or lead to kickback.
- ▶ **Do not brake the saw blade to a stop by applying side pressure after switching off.** The saw blade can be damaged, break or cause kickback.
- ▶ **Clamp material well. Do not support the workpiece with your hand or foot. Do not touch objects or the floor with the the saw running.** Danger of kickback.
- ▶ **Use appropriate detectors to determine if utility lines are hidden in the work area or call the local utility company for assistance.** Contact with electric lines can lead to fire and electric shock. Damaging a gas line can lead to explosion. Penetrating a water line causes property damage.
- ▶ **When working with the machine, always hold it firmly with both hands and provide for a secure stance.** The power tool is guided more secure with both hands.

- ▶ **Secure the workpiece.** A workpiece clamped with clamping devices or in a vice is held more secure than by hand.
- ▶ **Always wait until the machine has come to a complete stop before placing it down.** The tool insert can jam and lead to loss of control over the power tool.
- ▶ **Do not open the battery.** Danger of short-circuiting.



Protect the battery against heat, e. g., against continuous intense sunlight, fire, water, and moisture. Danger of explosion.

- ▶ **In case of damage and improper use of the battery, vapours may be emitted. Ventilate the area and seek medical help in case of complaints.** The vapours can irritate the respiratory system.
- ▶ **Use the battery only in conjunction with your Bosch power tool.** This measure alone protects the battery against dangerous overload.
- ▶ **The battery can be damaged by pointed objects such as nails or screwdrivers or by force applied externally.** An internal short circuit can occur and the battery can burn, smoke, explode or overheat.

Product Description and Specifications



Read all safety warnings and all instructions. Failure to follow the warnings and instructions may result in electric shock, fire and/or serious injury.

Intended Use

The machine is intended for sawing wood, plastic, metal and building materials while resting firmly on the workpiece. It is suitable for straight and curved cuts. When using the appropriate bimetal saw blades, it is possible to cut flush to the workpiece surface. The saw blade recommendations must be observed.

Product Features

The numbering of the product features refers to the illustration of the machine on the graphics page.

- 1 Saw blade*
- 2 Adjustable footplate
- 3 Saw blade holder
- 4 Locking sleeve for saw blade
- 5 Stroke rod
- 6 Stroke speed selector switch
- 7 On/Off switch
- 8 Battery unlocking button
- 9 Battery pack*
- 10 Handle (insulated gripping surface)
- 11 Button for charge-control indicator*
- 12 Battery charge-control indicator*

*Accessories shown or described are not part of the standard delivery scope of the product. A complete overview of accessories can be found in our accessories program.

8 | English

Technical Data

Sabre saw		GSA 18 V-LI	
Article number		3 601 F4J0..	
Rated voltage	V=	18	
Stroke rate at no load n_0			
– 1st gear	min ⁻¹	0–2400	
– 2nd gear	min ⁻¹	0–2700	
Tool holder		SDS	
Stroke rate control		●	
Stroke	mm	28	
Cutting depth, max.			
– in wood	mm	250	
– in non-alloy steel	mm	20	
– Pipe diameter	mm	130	
Weight according to EPTA-Procedure 01:2014	kg	3.2 - 3.7*	
Permitted ambient temperature			
– during charging	°C	0... +45	
– during operation** and during storage	°C	–20... +50	
Recommended batteries		GBA 18 V...	
Recommended chargers		AL 18..	

* depending on the battery pack being used

** Limited performance at temperatures < 0 °C

Technical data determined with battery from delivery scope.

Assembly**Battery Charging**

- ▶ **Use only the chargers listed in the technical data.** Only these chargers are matched to the lithium-ion battery of your power tool.

Note: The battery supplied is partially charged. To ensure full capacity of the battery, completely charge the battery in the battery charger before using your power tool for the first time. The lithium-ion battery can be charged at any time without reducing its service life. Interrupting the charging procedure does not damage the battery.

The lithium-ion battery is protected against deep discharging by the "Electronic Cell Protection (ECP)". When the battery is empty, the machine is switched off by means of a protective circuit: The inserted tool no longer rotates.

- ▶ **Do not continue to press the On/Off switch after the machine has been automatically switched off.** The battery can be damaged.

Observe the notes for disposal.

Removing the battery

The battery **9** is equipped with two locking levels that should prevent the battery from falling out when pushing the battery unlocking button **8** unintentionally. As long as the battery is inserted in the power tool, it is held in position by means of a spring.

To remove the battery **9**, press the battery unlocking button **8** and pull the battery out of the power tool toward the rear. **Do not exert any force.**

Battery Charge-control Indication (see figure A)

The three green LEDs of the battery charge-control indicator **12** indicate the charge condition of the battery **9**. For safety reasons, it is only possible to check the status of the charge condition when the machine is at a standstill.

Press button **11** to indicate the charge condition. This is also possible when the battery **9** is removed.

LED	Capacity
Continuous lighting 3 x green	≥ 2/3
Continuous lighting 2 x green	≥ 1/3
Continuous lighting 1 x green	< 1/3
Flashing light 1 x green	Reserve

When no LED lights up after pushing button **11**, then the battery is defective and must be replaced.

Replacing/Inserting the Saw Blade

- ▶ **Before any work on the power tool, remove the battery.**
- ▶ **When mounting the saw blade, wear protective gloves.** Danger of injury when touching the saw blade.
- ▶ **When changing the saw blade, take care that the saw blade holder is free of material residue, e. g. wood or metal shavings.**

Selecting a Saw Blade

Use only saw blades suitable for the material being worked.

An overview of recommended saw blades can be found at the beginning of these instructions. Use only ½" universal shank saw blades. The saw blade should not be longer than required for the intended cut.

Use a thin saw blade for narrow curve cuts.

Inserting the Saw Blade (see figure B)

Press the saw blade **1** firmly into the saw blade holder **3** until it can clearly be heard to engage. This causes the locking sleeve **4** to turn by approx. 90° and locks the saw blade. If the saw blade **1** is not locked, turn the locking sleeve **4** approx. 90° in the direction of the arrow until it locks in the open position and a "click" can be heard. Then press the saw blade **1** into the saw blade holder **3** again.

- ▶ **Check the tight seating of the saw blade.** A loose saw blade can fall out and lead to injuries.

For certain work, the saw blade **1** can also be turned through 180° (with the teeth pointed upwards) and re-inserted again.

Ejecting the Saw Blade (see figure C)

- ▶ **When ejecting the saw blade, hold the machine in such a manner that no persons or animals can be injured by the ejected saw blade.**

Turn the locking sleeve **4** approx. 90° in the direction of the arrow. The saw blade **1** is ejected.

Dust/Chip Extraction

- ▶ Dusts from materials such as lead-containing coatings, some wood types, minerals and metal can be harmful to one's health. Touching or breathing-in the dusts can cause allergic reactions and/or lead to respiratory infections of the user or bystanders.

Certain dusts, such as oak or beech dust, are considered as carcinogenic, especially in connection with wood-treatment additives (chromate, wood preservative). Materials containing asbestos may only be worked by specialists.

- Provide for good ventilation of the working place.
- It is recommended to wear a P2 filter-class respirator.

Observe the relevant regulations in your country for the materials to be worked.

- ▶ **Prevent dust accumulation at the workplace.** Dusts can easily ignite.

Operation

Starting Operation

Inserting the battery

- ▶ **Use only original Bosch lithium-ion batteries with the voltage listed on the nameplate of your power tool.**

Using other batteries can lead to injuries and pose a fire hazard.

To protect the machine against unintentional starting, set the stroke speed selector switch **6** to the centre position. Insert the charged battery **9** from the front into the handle of the power tool. Push the battery completely into the handle until the red stripe can no longer be seen and the battery is securely locked.

Changing the Stroke Speed Setting

The stroke speed setting of the power tool can be changed with the stroke speed selector switch **6**. However, this is not possible when the On/Off switch **7** is pressed.

Stroke speed selector switch **6** – central position:

The safety lock is activated.



The On/Off switch **7** is blocked and the machine is secured against being switched on unintentionally.

Stroke speed selector switch **6** – left:

1st gear, low stroke speed.



The low stroke speed is suitable for sawing hard materials such as steel, non-ferrous metal, hard plastics or for precision cuts in wood and plunge cutting.

The low stroke speed enables sawing with less vibrations.

Stroke speed selector switch **6** – right:

2nd gear, high stroke speed.



The high stroke speed is suitable for sawing soft materials.

The high stroke speed enables quicker operational progress, e. g., for coarse cuts in wood.

Switching On and Off

To **switch on** the power tool, press the On/Off switch **7** and keep it pressed.

To **switch off** the power tool, release the On/Off switch **7**.

Controlling the Stroke Rate

Increasing or reducing the pressure on the On/Off switch **7** enables stepless stroke-rate control of the switched-on machine.

The required stroke rate is dependent on the material and the working conditions and can be determined by a practical trial.

Reducing the stroke rate is recommended when the saw blade engages in the material as well as when sawing plastic and aluminium.

Working Advice

- ▶ **Before any work on the machine itself (e. g. maintenance, tool change, etc.) as well as during transport and storage, remove the battery from the power tool.**

There is danger of injury when unintentionally actuating the On/Off switch.

Pivoting Footplate (see figure D)

Due to its movability, the adjustable footplate **2** adapts to the required angular position of the surface.

Tips

- ▶ **When sawing light building materials, observe the statutory provisions and the recommendations of the material suppliers.**

Check wood, press boards, building materials, etc. for foreign objects such as nails, screws or similar, and remove them, if required.

Switch the machine on and guide it toward the workpiece. Position the footplate **2** onto the surface of the work and saw through the material applying uniform contact pressure and feed. After completing the working procedure, switch the machine off.

If the saw blade should jam, switch the machine off immediately. Widen the gap somewhat with a suitable tool and pull out the machine.

Plunge Cutting (see figure E)

- ▶ **The plunge cutting procedure is only suitable for treating soft materials such as wood, plaster board or similar! Do not work metal materials with the plunge cutting procedure!**

Use only short saw blades for plunge cutting.

10 | English

Place the machine with the edge of the footplate **2** onto the workpiece and switch on. For power tools with stroke speed control, set the maximum stroke speed. Press the power tool firmly against the workpiece and allow the saw blade to slowly plunge into the workpiece.

As soon as the footplate **2** fully lays on the surface of the workpiece, continue sawing alongside the desired cutting line.

For certain work, the saw blade **1** can also be inserted turned through by 180° and the sabre saw can be guided accordingly in a reversed manner.

Flush Cuts (see figure F)

Using elastic bimetal saw blades, items still attached to a wall (e. g. projecting building elements such as water pipes, etc.) can be sawn off flush at the wall.

► **Pay attention that the saw blade always extends beyond the diameter of the material being worked. There is danger of kickback.**

Position the saw blade directly against the wall and apply some lateral pressure via the tool until the footplate faces against the wall. Switch the power tool on and saw through the workpiece, applying constant lateral pressure.

Coolant/Lubricant

When sawing metal, coolant/lubricant should be applied alongside cutting line because of the material heating up.

Recommendations for Optimal Handling of the Battery

Protect the battery against moisture and water.

Store the battery only within a temperature range between -20 °C and 50 °C. As an example, do not leave the battery in the car in summer.

Occasionally clean the venting slots of the battery using a soft, clean and dry brush.

A significantly reduced working period after charging indicates that the battery is used and must be replaced.

Observe the notes for disposal.

Maintenance and Service**Maintenance and Cleaning**

► **Before any work on the machine itself (e. g. maintenance, tool change, etc.) as well as during transport and storage, remove the battery from the power tool.**

There is danger of injury when unintentionally actuating the On/Off switch.

► **For safe and proper working, always keep the machine and ventilation slots clean.**

Clean the saw blade holder preferably with compressed air or a soft brush. Remove the saw blade from the power tool for this. Ensure proper operation of the saw blade holder by applying a suitable lubricant.

Heavy contamination of the machine can lead to malfunctions. Therefore, do not saw materials that produce a lot of dust from below or overhead.

After-sales Service and Application Service

Our after-sales service responds to your questions concerning maintenance and repair of your product as well as spare parts. Exploded views and information on spare parts can also be found under:

www.bosch-pt.com

Bosch's application service team will gladly answer questions concerning our products and their accessories.

In all correspondence and spare parts order, please always include the 10-digit article number given on the type plate of the machine.

People's Republic of China**China Mainland**

Bosch Power Tools (China) Co., Ltd.

567, Bin Kang Road

Bin Jiang District 310052

Hangzhou, P. R. China

Service Hotline: 4008268484

Fax: (0571) 87774502

E-Mail: contact.ptcn@cn.bosch.com

www.bosch-pt.com.cn

HK and Macau Special Administrative Regions

Robert Bosch Hong Kong Co. Ltd.

21st Floor, 625 King's Road

North Point, Hong Kong

Customer Service Hotline: +852 2101 0235

Fax: +852 2590 9762

E-Mail: info@hk.bosch.com

www.bosch-pt.com.hk

Indonesia

PT Robert Bosch

Palma Tower 9th & 10th Floor

Jl. Let. Jend. TB Simatupang II S/06

Jakarta Selatan 12960

Indonesia

Tel.: (021) 3005 6565

Fax: (021) 3005 5801

E-Mail: boschpowertools@id.bosch.com

www.bosch-pt.co.id

Philippines

Robert Bosch, Inc.

28th Floor Fort Legend Towers,

3rd Avenue corner 31st Street,

Fort Bonifacio Global City,

1634 Taguig City, Philippines

Tel.: (02) 8703871

Fax: (02) 8703870

matheus.contiero@ph.bosch.com

www.bosch-pt.com.ph

Bosch Service Center:

9725-27 Kamagong Street

San Antonio Village

Makati City, Philippines

Tel.: (02) 8999091

Fax: (02) 8976432

rosalie.dagdagan@ph.bosch.com

Malaysia

Robert Bosch (S.E.A.) Sdn. Bhd.
 No. 8A, Jalan 13/6
 G.P.O. Box 10818
 46200 Petaling Jaya
 Selangor, Malaysia
 Tel.: (03) 79663194
 Fax: (03) 79583838
 cheehoe.on@my.bosch.com
 Toll-Free: 1800 880188
 www.bosch-pt.com.my

Thailand

Robert Bosch Ltd.
 Liberty Square Building
 No. 287, 11 Floor
 Silom Road, Bangrak
 Bangkok 10500
 Tel.: 02 6393111, 02 6393118
 Fax: 02 2384783
 Robert Bosch Ltd., P. O. Box 2054
 Bangkok 10501, Thailand
 www.bosch.co.th

Bosch Service – Training Centre
 La Salle Tower Ground Floor Unit No.2
 10/11 La Salle Moo 16
 Srinakharin Road
 Bangkaew, Bang Plee
 Samutprakarn 10540
 Thailand
 Tel.: 02 7587555
 Fax: 02 7587525

Singapore

Robert Bosch (SEA) Pte. Ltd.
 11 Bishan Street 21
 Singapore 573943
 Tel.: 6571 2772
 Fax: 6350 5315
 leongheng.leow@sg.bosch.com
 Toll-Free: 1800 3338333
 www.bosch-pt.com.sg

Vietnam

Robert Bosch Vietnam Co. Ltd
 10/F, 194 Golden Building
 473 Dien Bien Phu Street
 Ward 25, Binh Thanh District
 84 Ho Chi Minh City
 Vietnam
 Tel.: (08) 6258 3690 ext. 413
 Fax: (08) 6258 3692
 hieu.lagia@vn.bosch.com
 www.bosch-pt.com

Australia, New Zealand and Pacific Islands

Robert Bosch Australia Pty. Ltd.
 Power Tools
 Locked Bag 66
 Clayton South VIC 3169
 Customer Contact Center
 Inside Australia:
 Phone: (01300) 307044
 Fax: (01300) 307045
 Inside New Zealand:
 Phone: (0800) 543353
 Fax: (0800) 428570
 Outside AU and NZ:
 Phone: +61 3 95415555
 www.bosch.com.au

Transport

The contained lithium-ion batteries are subject to the Dangerous Goods Legislation requirements. The user can transport the batteries by road without further requirements. When being transported by third parties (e.g.: air transport or forwarding agency), special requirements on packaging and labelling must be observed. For preparation of the item being shipped, consulting an expert for hazardous material is required.

Dispatch batteries only when the housing is undamaged. Tape or mask off open contacts and pack up the battery in such a manner that it cannot move around in the packaging. Please also observe possibly more detailed national regulations.

Disposal

The machine, rechargeable batteries, accessories and packaging should be sorted for environmental-friendly recycling.

Do not dispose of power tools and batteries/rechargeable batteries into household waste!

Battery packs/batteries:**Li-ion:**

Please observe the instructions in section "Transport", page 11.

Subject to change without notice.

中文

安全规章

电动工具通用安全警告

警告！ 阅读所有警告和所有说明！不遵照以下警告和说明会导致电击、着火和/或严重伤害。

保存所有警告和说明书以备查阅。

在所有下列的警告中术语“电动工具”指市电驱动（有线）电动工具或电池驱动（无线）电动工具。

工作场地的安全

- ▶ 保持工作场地清洁和明亮。混乱和黑暗的场地会引发事故。
- ▶ 不要在易爆环境，如有易燃液体、气体或粉尘的环境下操作电动工具。电动工具产生的火花会点燃粉尘或气体。
- ▶ 让儿童和旁观者离开后操作电动工具。注意力不集中会使操作者失去对工具的控制。

电气安全

- ▶ 电动工具插头必须与插座相配。绝不能以任何方式改装插头。需接地的电动工具不能使用任何转换插头。未经改装的插头和相配的插座将减少电击危险。
- ▶ 避免人体接触接地表面，如管道、散热片和冰箱。如果你身体接地会增加电击危险。
- ▶ 不得将电动工具暴露在雨中或潮湿环境中。水进入电动工具将增加电击危险。
- ▶ 不得滥用电线。绝不能用电线搬运、拉动电动工具或拔出其插头。使电线远离热源、油、锐边或运动部件。受损或缠绕的软线会增加电击危险。
- ▶ 当在户外使用电动工具时，使用适合户外使用的外接软线。适合户外使用的软线将减少电击危险。
- ▶ 如果在潮湿环境下操作电动工具是不可避免的，应使用剩余电流动作保护器（RCD）。使用 RCD 可减小电击危险。

人身安全

- ▶ 保持警觉，当操作电动工具时关注所从事的操作并保持清醒。当你感到疲倦，或在有药物、酒精或治疗反应时，不要操作电动工具。在操作电动工具时瞬间的疏忽会导致严重人身伤害。
- ▶ 使用个人防护装置。始终佩戴护目镜。安全装置，诸如适当条件下使用防尘面具、防滑安全鞋、安全帽、听力防护等装置能减少人身伤害。
- ▶ 防止意外起动。确保开关在连接电源和/或电池盒、拿起或搬运工具时处于关断位置。手指放在已接通电源的开关上或开关处于接通时插入插头可能会导致危险。

- ▶ 在电动工具接通之前，拿掉所有调节钥匙或扳手。遗留在电动工具旋转零件上的扳手或钥匙会导致人身伤害。
- ▶ 手不要伸展得太长。时刻注意立足点和身体平衡。这样在意外情况下能很好地控制电动工具。
- ▶ 着装适当。不要穿宽松衣服或佩戴饰品。让衣服、手套和头发远离运动部件。宽松衣服、佩饰或长发可能会卷入运动部件中。
- ▶ 如果提供了与排屑、集尘设备连接用的装置，要确保他们连接完好且使用得当。使用这些装置可减少尘屑引起的危险。

电动工具使用和注意事项

- ▶ 不要滥用电动工具，根据用途使用适当的电动工具。选用适当设计的电动工具会使你工作更有效、更安全。
- ▶ 如果开关不能接通或关断工具电源，则不能使用该电动工具。不能用开关来控制的电动工具是危险的且必须进行修理。
- ▶ 在进行任何调节、更换附件或贮存电动工具之前，必须从电源上拔掉插头和/或使电池盒与工具脱开。这种防护性措施将减少工具意外起动的危险。
- ▶ 将闲置不用的电动工具贮存在儿童所及范围之外，并且不要让不熟悉电动工具或对这些说明不了解的人操作电动工具。电动工具在未经培训的用户手中是危险的。
- ▶ 保养电动工具。检查运动件是否调整到位或卡住，检查零件破损情况和影响电动工具运行的其他状况。如有损坏，电动工具应在使用前修理好。许多事故由维护不良的电动工具引发。
- ▶ 保持切削刀具锋利和清洁。保养良好的有锋利切削刃的刀具不易卡住而且容易控制。
- ▶ 按照使用说明书，考虑作业条件和进行的作业来使用电动工具、附件和工具的刀头等。将电动工具用于那些与其用途不符的操作可能会导致危险。


电池式工具使用和注意事项

- ▶ 只用制造商规定的充电器充电。将适用于某种电池盒的充电器用到其他电池盒时会发生着火危险。
- ▶ 只有在配有专用电池盒的情况下才使用电动工具。使用其他电池盒会发生损坏和着火危险。
- ▶ 当电池盒不用时，将它远离其他金属物体，例如回形针、硬币、钥匙、钉子、螺钉或其他小金属物体，以防一端与另一端连接。电池端部短路会引起燃烧或火灾。
- ▶ 在滥用条件下，液体会从电池中溅出；避免接触。如果意外碰到了，用水冲洗。如果液体碰到了眼睛，还要寻求医疗帮助。从电池中溅出的液体会发生腐蚀或燃烧。

维修

- ▶ 将你的电动工具送交专业维修人员，使用同样的备件进行修理。这样将确保所维修的电动工具的安全性。

针对马刀锯的安全规章

- ▶ 在切削附件可能触及暗线进行操作时，要通过绝缘握持面来握持工具。切削附件碰到带电导线会使工具外露的金属零件带电从而使操作者受到电击。
- ▶ 双手必须远离锯割范围，手不可以握在工件下端。如果不小心中触了锯片可能被割伤。
- ▶ 先开动电动工具后再把工具放置在工件上切割。如果电动工具被夹在工件中，会有反击的危险。
- ▶ 注意，锯割时底盘 2 务必紧靠着工件。如果锯刀在工作中途歪斜了，操作者可能无法掌控电动工具。
- ▶ 工作告一段落时，必须先关闭电动工具并等待机器完全静止后，才可以从锯缝中拔出锯刀。如此不但可以防止反击，而且可以防止放置机器时发生危险。
- ▶ 只能使用未受损，功能正常的锯片。弯曲或变钝的锯片可能断裂，对锯痕造成负面影响或导致反弹。
- ▶ 关机后不可以侧压刀片来制止仍然继续转动的刀片。锯刀可能因此受损、断裂或者造成反击。
- ▶ 牢牢地固定住工件。不可以用手或脚支撑工件。不可以让转动中的电锯接触其它的物品或地面。有反击的危险。
- ▶ 使用合适的侦测器，以便找出隐藏着的电源线的位置。或者向当地的供电单位索取相关资料。钻穿电线会造成火灾并遭受电击。损坏瓦斯管会引起爆炸。如果水管被刺穿了会导致财物损失。
- ▶ 工作时必须用双手握紧电动工具，并且要确保立足稳固。使用双手比较能够握稳电动工具。
- ▶ 固定好工件。使用固定装置或老虎钳固定工件，会比用手持握工件更牢固。
- ▶ 等待电动工具完全静止后才能够放下机器。机器上的工具可能在工作中被夹住，而令您无法控制电动工具。
- ▶ 切勿打开蓄电池。可能造成短路。
 -  保护蓄电池免受高温（例如长期日照），火焰，水和湿气的侵害。有爆炸的危险。
- ▶ 如果蓄电池损坏了，或者未按照规定使用蓄电池，蓄电池中会散发出有毒蒸汽。工作场所必须保持空气流通，如果身体有任何不适必须马上就医。蓄电池散发的蒸汽会刺激呼吸道。
- ▶ 本蓄电池只能配合博世的电动工具一起使用。这样才能确保蓄电池不会过载。

- ▶ 通过尖的物件如钉子或螺丝刀通过外力作用时，可能损坏蓄电池。有可能出现内部短路、蓄电池燃烧、发出烟雾、爆炸或过热。

产品和功率描述



阅读所有的警告提示和指示。如未确实遵循警告提示和指示，可能导致电击，火灾并且 / 或其他的严重伤害。

按照规定使用机器

本电动工具可以锯割木材、塑料、金属和一般建材。锯割时必须用力地将机器顶向工件。本机器能够进行直线割锯也能够进行曲线割锯。安装了专用的双金属锯刀后，能够锯割出非常平整的锯口。选用锯刀时请参考本公司提出的建议。

插图上的机件

机件的编号和电动工具详解图上的编号一致。

- 1 锯片 *
- 2 活动式底盘
- 3 锯刀接头
- 4 锯刀的锁定套筒
- 5 冲击杆
- 6 冲击次数设定开关
- 7 起停开关
- 8 蓄电池的解锁按键
- 9 蓄电池 *
- 10 手柄（绝缘握柄）
- 11 充电电量指示灯的按键 *
- 12 蓄电池的充电电量指示灯 *

* 图表或说明上提到的附件，并不包含在基本的供货范围中。本公司的附件清单中有完整的附件供应项目。

技术数据

马刀锯	GSA 18 V-LI	
物品代码		3 601 F4J0..
额定电压	伏特 =	18
无负载冲击次数 n_0		
- 第一档	次 / 分	0-2400
- 第二档	次 / 分	0-2700
工具夹头		SDS
冲击次数调节功能		●
冲程	毫米	28
* 视所使用的蓄电池而定		
** 温度 <0°C 时功率受限		
使用附带的蓄电池所测得的技术数据。		

14 | 中文

马刀锯	GSA 18 V-LI	
最大锯割深度		
- 在木材	毫米	250
- 在钢铁, 非合金钢	毫米	20
- 管直径	毫米	130
重量符合 EPTA-Procedure 01: 2014	公斤	3.2 - 3.7*
允许的环境温度		
- 充电时	°C	0...+45
- 运行 ** 和储藏时	°C	-20...+50
建议使用的充电电池		GBA 18 V...
推荐的充电器		AL 18..
* 视所使用的蓄电池而定		
** 温度 <0°C 时功率受限		
使用附带的蓄电池所测得的技术数据。		

安装

为蓄电池充电

▶ **请只使用在技术数据中列出的充电器。** 只有这些充电器才适用于本电动工具上的锂离子电池。

指示: 蓄电池在交货时只完成部分充电。首度使用电动工具之前, 必须先充足蓄电池的电以确保蓄电池的功率。

可以随时为锂离子电池充电, 不会缩短电池的使用寿命。如果充电过程突然中断, 也不会损坏电池。

本锂离子电池配备了“电子充电室保护装置 (ECP)”, 可以防止蓄电池过度放电。电池的电量如果用尽了, 保护开关会自动关闭电动工具: 安装在机器上的工具会停止转动。

▶ **电动工具被关闭之后, 切勿继续按住起停开关。** 可能损坏电池。

请注意有关作废处理的规定。

取出蓄电池

本蓄电池 9 具备了双重锁定。即使不小心触动了蓄电池的解锁按键 8, 蓄电池也不会从机器中掉落出来。固定弹簧会把蓄电池夹紧在机器中。

拆卸蓄电池 9 时得先按住解锁按键 8 接著再向后抽拉便可以取出蓄电池。不可以强制拉出蓄电池。

蓄电池的充电电量指示灯 (参考插图 A)

三个绿色的蓄电池充电电量指示灯 12 能够显示蓄电池 9 的现有电量。基于安全的顾虑, 务必在电动工具静止时 才能够检查蓄电池的电量。

按下按键 11 以便显示充电状况。拿出蓄电池 9 后也可以执行此步骤。

LED	容量
3 个绿灯持续亮着	≥2/3
2 个绿灯持续亮着	≥1/3
1 个绿灯持续亮着	<1/3
1 个绿灯闪烁	备用电量

按下按键 11 之后如果指示灯没有反应, 表示 蓄电池已经损坏了, 必须更换电池。

安装 / 更换锯刀

▶ **为电动工具做任何的维修工作之前, 务必先取出蓄电池。**

▶ **安装锯片时要戴上工作手套。** 如果接触了锯片, 可能受伤。

▶ **更换锯刀时请注意, 锯刀接头上不可以有任何杂物, 例如木屑或金属屑等。**

选择锯片

根据加工物料选择合适的锯刀。

本说明书的开端, 有锯刀的一览表。只能安装有 1/2" 通用插柄的锯刀。锯刀的长度不可以大过预定的锯线。

锯割狭窄的弯角时, 必须使用窄的锯刀。

安装锯刀 (参考插图 B)

用力地把锯刀 1 推入锯刀接头 3 中, 必须推压至能够听到卡住声嚦为止。此时锁定套筒 4 会跟著旋转 90 度, 并锁住锯刀。

如果无法锁住锯刀 1, 那就先把锁定套筒 4 朝著箭头的方向拧转 90 度, 必须拧转至套筒锁住并且能够听到卡住声嚦为止。接著再把锯刀 1 推入锯刀接头 3 中。

▶ **检查锯刀是否已经装牢了。** 松动的锯刀可能掉落并伤害您。

从事某些特别的工作时, 可以把锯刀 1 旋转 180 度 (锯齿朝上) 后再安装。

抛出锯刀 (参考插图 C)

▶ **抛出锯刀时千万要握好电动工具, 不可以让弹出的锯刀伤害旁人或动物。**

把锁定套筒 4 朝著箭头的方向拧转 90 度, 此时锯刀 1 会被抛出。

吸锯尘 / 吸锯屑

▶ 含铅的颜料以及某些木材、矿物和金属的加工废尘有害健康。机器操作者或者工地附近的人如果接触、吸入这些废尘, 可能会有过敏反应或者感染呼吸道疾病。

某些尘埃 (例如加工橡木或山毛榉的废尘) 可能致癌, 特别是和处理木材的添加剂 (例如木材的防腐剂等) 结合之后。只有经过专业训练的人才能够加工含石棉的物料。

- 工作场所要保持空气流通。
- 最好佩戴 P2 滤网等级的口罩。

请留心并遵守贵国和加工物料有关的法规。

- ▶ **避免让工作场所堆积过多的尘垢。** 尘埃容易被点燃。

操作

操作机器

安装蓄电池

- ▶ **只能使用博世原厂的锂离子蓄电池，电池的电压必须和机器铭牌上提供的电压一致。** 使用其它厂家的蓄电池，可能导致意外伤害并造成火灾。

把冲击次数设定开关 6 调整到中央位置，这样可以防止不小心开动电动工具。将已经充好电的蓄电池 9，从前端推入电动工具的底座中。把蓄电池完全推入底座中，必须推压至红色条纹被遮盖住，而且蓄电池牢牢地卡在底座中为止。

改变冲击次数

使用冲击次数设定开关 6 可以改变电动工具的冲击次数。如果按住起停开关 7 则无法变换冲击次数。

把冲击次数设定开关 6 调整在中央位置：
制动功能被启动。



起停开关 7 被堵住，可以防止不小心开动电动工具。

把冲击次数设定开关 6 调整在左侧：

1 档，低冲击次数。



加工硬材料（例如钢材、有色金属和硬塑料）或者在木材上进行精加工时，适合使用低冲击次数。

由于冲击次数低，可以减轻工作时的震动。

把冲击次数设定开关 6 调整在右侧：

2 档，高冲击次数。



加工软材料时适合设定高冲击次数。冲击次数高，可以加快工作进度，例如在木材上进行粗加工时。

开动 / 关闭

要**接通**电动工具，按下并压住起停开关 7。

关闭 电动工具，放开起停开关 7。

调整冲击次数

您可以无级式调节电动工具的冲击次数。您在起停开关 7 上的施力大小，可以决定冲击次数的高低。

正确的冲击次数必须视工件物料和工作状况而定。唯有实际操作才能找出最合适的冲击次数。

起锯时，或者锯割塑料、铝片时最好降低冲击次数。

有关操作方式的指点

- ▶ **在电动工具上进行任何维护的工作（例如维修、更换工具等等），以及搬运、保存电动工具之前都必须从机器中取出蓄电池。** 不小心开动了起停开关可能造成伤害。

活动式底盘（参考插图 D）

底盘 2 是活动的，可以随时配合工作表面的角度。

建议

- ▶ **锯割轻建材时，必须注意有关的法令规定以及材料供应商提供的建议事宜。**

锯割木材、夹板以及其它建材之前，先检查工件中是否隐藏了异物，例如钉子和螺丝等。如果发现异物必须马上拔除。

先开动电动工具再把工具靠在工件上。把底盘 2 靠在工件的表面，接著再使用均匀的下压力或推进力锯割工件。工作完后随关闭电动工具。

如果锯刀被夹住了，必须马上关闭电动工具。使用合适的工具撑开锯缝并拔出电动工具。

潜锯（参考插图 E）

- ▶ **潜锯只适用于软的材料，例如木材、石膏夹板等！不能在金属上进行潜锯。**

只能使用短的锯刀进行潜锯。

把底盘 2 的下缘顶在工件表面上，然后再开动机器。如果电动工具有冲击次数设定功能的话，必须选择最高冲击次数。用力地把电动工具压向工件，并让锯刀慢慢地潜入工件中。

待底盘 2 平贴着工件表面后，便可以沿着锯线向前锯割。

针对特殊的工作，可以把锯刀 1 翻转 180 度后再安装，并且把电锯翻转过来操作。

平锯（参考插图 F）

使用具有弹性的双金属锯片，能够锯平凸出在墙上的建筑构件（例如水管等）。

- ▶ **请注意，锯刀片的长度务必要大于待锯管子的直径。否则可能有反击的危险。**

把锯刀直接靠在墙上，侧压电动工具让底盘贴在墙面上。开动电动工具并使用均匀的侧压力锯断工件。

冷却剂 / 润滑剂

锯割金属时由于物料会变热，必须在锯割线上涂抹冷却剂或润滑剂。

16 | 中文

如何正确地使用蓄电池

保护蓄电池，避免湿气和水分渗入。

蓄电池必须储存在摄氏 -20 到 50 度的环境中。夏天不可以把蓄电池搁置在汽车中。

不时地使用柔软、清洁而且干燥的毛刷清洁蓄电池的通气孔。

充电后如果蓄电池的使用时间明显缩短，代表蓄电池已经损坏，必须更换新的蓄电池。

请注意有关作废处理的规定。

维修和服务**维修和清洁**

▶ **在电动工具上进行任何维护的工作（例如维修、更换工具等等），以及搬运、保存电动工具之前都必须从机器中取出蓄电池。** 不小心开动了起停开关可能造成伤害。

▶ **电动工具和通风间隙都必须保持清洁，这样才能提高工作品质 and 安全性。**

最好使用压缩空气或软毛刷清洁锯片接头。此时必须先拆卸电动工具上的锯片，并且使用合适的润滑剂润滑接头，以确保接头的运作功能。

电动工具如果沾满污垢，可能会影响机器的功能。因此不可以仰头锯割会产生大量灰尘的工件。

顾客服务处和顾客咨询中心

本公司顾客服务处负责回答有关本公司产品的修理、维护和备件的问题。以下的网页中有爆炸图和备件的资料：

www.bosch-pt.com

博世顾客咨询团队非常乐意为您解答有关本公司产品及附件的问题。

询问和订购备件时，务必提供机器铭牌上标示的 10 位数物品代码。

有关保证，维修或更换零件事宜，请向合格的经销商查询。

中国大陆

博世电动工具（中国）有限公司

中国 浙江省 杭州市

滨江区滨康路 567 号

邮政编码：310052

免费服务热线：4008268484

传真：(0571) 87774502

电邮：contact.ptcn@cn.bosch.com

www.bosch-pt.com.cn

羅伯特·博世有限公司

香港北角英皇道 625 號 21 樓

客戶服務熱線：+852 2101 0235

傳真：+852 2590 9762

電郵：info@hk.bosch.com

網站：www.bosch-pt.com.hk

制造商地址：

Robert Bosch Power Tools GmbH

罗伯特·博世电动工具有限公司

70538 Stuttgart / GERMANY

70538 斯图加特 / 德国

搬运


随着机器一起供货的锂离子蓄电池必须受危险物品法规范。使用者无须另外使用保护包装便可以运送该蓄电池。

但是如果将它交由第三者运送（例如：寄空运或委托运输公司）则必须使用特殊的包装和标示。此时必须向危险物品专家请教有关寄送危险物品的相关事宜。

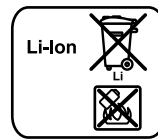
确定蓄电池的外壳未受损后，才可以寄送蓄电池。粘好未加盖的触点并包装好蓄电池，不可以让蓄电池在包装中晃动。

必要时也得注意各国有关的法规。

处理废弃物

 必须以符合环保的方式，回收再利用损坏的电动工具，蓄电池，附件和废弃的包装材料。

不可以把电动工具和蓄电池 / 电池丢入一般的家庭垃圾中！

充电电池 / 电池：**锂离子：**

请注意“搬运”段落中的指示，页 16。

保留修改权。**中文****安全規章****電動工具通用安全警告**

警告 閱讀所有警告和所有說明。不遵照以下警告和說明會導致電擊、著火和 / 或嚴重傷害。

保存所有警告和說明書以備查閱。

在所有下列的警告中術語“電動工具”指市電驅動（有線）電動工具或電池驅動（無線）電動工具。

工作場地的安全

▶ **保持工作場地清潔和明亮。** 混亂和黑暗的場地會引發事故。

▶ **不要在易爆環境，如有易燃液體、氣體或粉塵的環境下操作電動工具。** 電動工具產生的火花會點燃粉塵或氣體。

- ▶ 讓兒童和旁觀者離開後操作電動工具。注意力不集中會使你失去對工具的控制。

電氣安全

- ▶ 電動工具插頭必須與插座相配。絕不能以任何方式改裝插頭。需接地的電動工具不能使用任何轉換插頭。未經改裝的插頭和相配的插座將減少電擊危險。
- ▶ 避免人體接觸接地表面，如管道、散熱片和冰箱。如果你身體接地會增加電擊危險。
- ▶ 不得將電動工具暴露在雨中或潮濕環境中。水進入電動工具將增加電擊危險。
- ▶ 不得濫用電線。絕不能用電線搬運、拉動電動工具或拔出其插頭。使電線遠離熱源、油、銳邊或運動部件。受損或纏繞的軟線會增加電擊危險。
- ▶ 當在戶外使用電動工具時，使用適合戶外使用的外接軟線。適合戶外使用的軟線，將減少電擊危險。
- ▶ 如果在潮濕環境下操作電動工具是不可避免的，應使用剩餘電流動作保護器（RCD）。使用 RCD 可減少小電擊危險。

人身安全

- ▶ 保持警覺，當操作電動工具時關注所從事的操作並保持清醒。當你感到疲倦，或在有藥物、酒精或治療反應時，不要操作電動工具。在操作電動工具時瞬間的疏忽會導致嚴重人身傷害。
- ▶ 使用個人防護裝置。始終佩戴護目鏡。安全裝置，諸如適當條件下使用防塵面具、防滑安全鞋、安全帽、聽力防護等裝置能減少人身傷害。
- ▶ 防止意外起動。確保開關在連接電源和 / 或電池盒、拿起或搬運工具時處於關斷位置。手指放在已接通電源的開關上或開關處於接通時插入插頭可能會導致危險。
- ▶ 在電動工具接通之前，拿掉所有調節鑰匙或扳手。遺留在電動工具旋轉零件上的扳手或鑰匙會導致人身傷害。
- ▶ 手不要伸展得太長。時刻注意立足點和身體平衡。這樣在意外情況下能很好地控制電動工具。
- ▶ 著裝適當。不要穿寬鬆衣服或佩戴飾品。讓你的衣服、手套和頭髮遠離運動部件。寬鬆衣服、佩飾或長髮可能會捲入運動部件中。
- ▶ 如果提供了與排屑、集塵設備連接用的裝置，要確保他們連接完好且使用得當。使用這些裝置可減少塵屑引起的危險。

電動工具使用和注意事項

- ▶ 不要濫用電動工具，根據用途使用適當的電動工具。選用適當設計的電動工具會使你工作更有效、更安全。
- ▶ 如果開關不能接通或關斷工具電源，則不能使用該電動工具。不能用開關來控制的電動工具是危險的且必須進行修理。

- ▶ 在進行任何調節、更換附件或貯存電動工具之前，必須從電源上拔掉插頭和 / 或使電池盒與工具脫開。這種防護性措施將減少工具意外起動的危險。
- ▶ 將閒置不用的電動工具貯存在兒童所及範圍之外，並且不要讓不熟悉電動工具或對這些說明不瞭解的人操作電動工具。電動工具在未經培訓的用戶手中是危險的。
- ▶ 保養電動工具。檢查運動件是否調整到位或卡住，檢查零件破損情況和影響電動工具運行的其他狀況。如有損壞，電動工具應在使用前修理好。許多事故由維護不良的電動工具引發。
- ▶ 保持切削刀具鋒利和清潔。保養良好的有鋒利切削刃的刀具不易卡住而且容易控制。
- ▶ 按照使用說明書，考慮作業條件和進行的作業來使用電動工具、附件和工具的刀頭等。將電動工具用於那些與其用途不符的操作可能會導致危險。

電池式工具使用和注意事項

- ▶ 只用製造商規定的充電器充電。將適用於某種電池盒的充電器用到其他電池盒時會發生著火危險。
- ▶ 只有在配有專用電池盒的情況下才使用電動工具。使用其他電池盒會發生損壞和著火危險。
- ▶ 當電池盒不用時，將它遠離其他金屬物體，例如回形針、硬幣、鑰匙、釘子、螺釘或其他小金屬物體，以防一端與另一端連接。電池端部短路會引起燃燒或火災。
- ▶ 在濫用條件下，液體會從電池中濺出；避免接觸。如果意外碰到了，用水沖洗。如果液體碰到了眼睛，還要尋求醫療幫助。從電池中濺出的液體會發生腐蝕或燃燒。

檢修

- ▶ 將你的電動工具送交專業維修人員，必須使用同樣的備件進行更換。這樣將確保所維修的電動工具的安全性。

針對馬刀鋸的安全規章

- ▶ 工作時如果安裝在電動工具上的工具可能割斷隱藏的電線，一定要握住絕緣手柄操作機器。安裝在電動工具上的工具如果接觸了帶電的線路，電動工具上的金屬部件會導電，可能造成操作者觸電。
- ▶ 雙手必須遠離鋸割範圍，手不可以握在工件下端。如果不小心碰觸了鋸片可能被割傷。
- ▶ 先開動電動工具後再把工具放置在工件上切割。如果電動工具被夾在工件中，會有反擊的危險。
- ▶ 注意，鋸割時底盤 2 務必緊靠著工件。如果鋸刀在工作中途歪斜了，操作者可能無法掌控電動工具。
- ▶ 工作告一段落時，必須先關閉電動工具並等待機器完全靜止後，才可以從鋸縫中拔出鋸刀。如此不但可以防止反擊，而且可以防止放置機器時發生危險。

18 | 中文

- ▶ **只能使用未受損，功能正常的鋸片。** 彎曲或變鈍的鋸片可能斷裂，對鋸痕造成負面影響或導致反彈。
- ▶ **關機後不可以側壓刀片來制止仍然繼續轉動的刀片。** 鋸刀可能因此受損、斷裂或者造成反擊。
- ▶ **牢牢地固定住工件。不可以用手或腳支撐工件。不可以讓轉動中的電鋸接觸其它的物品或地面。** 有反擊的危險。
- ▶ **使用合適的偵測器，以便找出隱藏著的電源線的位置。或者向當地的供電單位索取相關資料。** 鑽穿電線會造成火災並遭受電擊。損壞瓦斯管會引起爆炸。如果水管被刺穿了會導致財物損失。
- ▶ **工作時必須用雙手握緊電動工具，並且要確立立足穩固。** 使用雙手比較能夠握穩電動工具。
- ▶ **固定好工件。** 使用固定裝置或老虎鉗固定工件，會比用手持握工件更牢固。
- ▶ **等待電動工具完全靜止後才能夠放下機器。** 機器上的工具可能在工作中被夾住，而令您無法控制電動工具。
- ▶ **切勿打開蓄電池。** 可能造成短路。



保護蓄電池免受高溫（例如長期日照），火焰，水和濕氣的侵害。有爆炸的危險。

- ▶ **如果蓄電池損壞了，或者未按照規定使用蓄電池，蓄電池中會散發出有毒蒸汽。工作場所必須保持空氣流通，如果身體有任何不適必須馬上就醫。** 蓄電池散發的蒸汽會刺激呼吸道。
- ▶ **本蓄電池只能配合博世的電動工具一起使用。** 這樣才能確保蓄電池不會過載。
- ▶ **尖銳物品（例如釘子或螺絲起子）或是外力皆有可能造成充電電池損壞，進而導致內部短路而發生電池起火、冒煙、爆炸或過熱等事故。**

產品和功率描述



閱讀所有的警告提示和指示。如未確實遵循警告提示和指示，可能導致電擊、火災並且 / 或其他的嚴重傷害。

按照規定使用機器

本電動工具可以鋸割木材、塑料、金屬和一般建材。鋸割時必須用力地將機器頂向工件。本機器能夠進行直線割鋸也能夠進行曲線割鋸。安裝了專用的雙金屬鋸刀后，能夠鋸割出非常平整的鋸口。選用鋸刀時請參考本公司提出的建議。

插圖上的機件

機件的編號和電動工具詳解圖上的編號一致。

- 1 鋸片 *
- 2 活動式底盤
- 3 鋸刀接頭

- 4 鋸刀的鎖定套筒
- 5 沖擊桿
- 6 沖擊次數設定開關
- 7 起停開關
- 8 蓄電池的解鎖按鍵
- 9 蓄電池 *
- 10 手柄（絕緣握柄）
- 11 充電電量指示燈的按鍵 *
- 12 蓄電池的充電電量指示燈 *

*圖表或說明上提到的附件，並不包含在基本的供貨範圍中。本公司的附件清單中有完整的附件供應項目。

技術性數據

馬刀鋸	GSA 18 V-LI	
物品代碼	3 601 F4J 0..	
額定電壓	伏特 =	18
無負載沖擊次數 n_0		
- 第一檔	次 / 分	0-2400
- 第二檔	次 / 分	0-2700
工具夾頭	SDS	
沖擊次數調節功能	●	
沖程	毫米	28
最大鋸割深度		
- 在木材	毫米	250
- 在鋼鐵，非合金鋼	毫米	20
- 管直徑	毫米	130
重量符合 EPTA-Procedure 01:2014	公斤	3.2-3.7*
容許環境溫度		
- 充電狀態下	°C	0...+45
- 運轉時 ** 與存放狀態下	°C	-20...+50
建議使用之充電電池	GBA 18 V...	
建議使用的充電器	AL 18..	
* 視所使用的蓄電池而定		
** 溫度 <0°C 時，性能受限		
使用附帶的蓄電池所測得的技術數據。		

安裝

為蓄電池充電

- ▶ **只能選用技術性數據裡所列出的充電器。** 僅有這些充電器適用於電動工具所使用的鋰離子充電電池。

指示：蓄電池在交貨時只完成部分充電。首度使用電動工具之前，必須先充足蓄電池的電以確保蓄電池的功率。

可以隨時為鋰離子蓄電池充電，不會縮短電池的使用壽命。如果充電過程突然中斷，也不會損壞電池。

本鋰離子蓄電池配備了 " 電子充電室保護裝置 (ECP)"，可以防止蓄電池過度放電。電池的電量如果用盡了，保護開關會自動關閉電動工具：安裝在機器上的工具會停止轉動。

- ▶ **電動工具被關閉之后，切勿繼續按住起停開關。** 可能損壞電池。

請注意有關作廢處理的規定。

取出蓄電池

本蓄電池 9 具備了雙重鎖定。即使不小心觸動了蓄電池的解鎖按鍵 8，蓄電池也不會從機器中掉落出來。固定彈簧會把蓄電池夾緊在機器中。

拆卸蓄電池 9 時得先按住解鎖按鍵 8 接著再向後抽拉便可以從電動工具中取出蓄電池。 **不可以強制拉出蓄電池。**

蓄電池的充電電量指示燈 (參考插圖 A)

三個綠色的蓄電池充電電量指示燈 12 能夠顯示蓄電池 9 的現有電量。基于安全的顧慮，務必在電動工具靜止時 才能夠檢查蓄電池的電量。

按下按鍵 11 以便顯示充電狀況。拿出蓄電池 9 後也可以執行此步驟。

LED	容量
3 個綠燈持續亮著	≥2/3
2 個綠燈持續亮著	≥1/3
1 個綠燈持續亮著	<1/3
1 個綠燈閃爍	備用電量

按下按鍵 11 之後如果指示燈沒有反應，表示蓄電池已經損壞了，必須更換電池。

安裝 / 更換鋸刀

- ▶ **為電動工具做任何的維修工作之前，務必先取出蓄電池。**
- ▶ **安裝鋸片時要戴上工作手套。** 如果接觸了鋸片，可能被割傷。
- ▶ **更換鋸刀時請注意，鋸刀接頭上不可以有任何雜物，例如木屑或金屬屑等。**

選擇鋸片

根據加工物料選擇合適的鋸刀。

本說明書的開端，有鋸刀的一覽表。只能安裝有 ½"-通用插柄的鋸刀。鋸刀的長度不可以大過預定的鋸線。

鋸割狹窄的彎角時，必須使用窄的鋸刀。

安裝鋸刀 (參考插圖 B)

用力地把鋸刀 1 推入鋸刀接頭 3 中，必須推壓至能夠聽到卡住聲響為止。此時鎖定套筒 4 會跟著旋轉 90 度，並鎖住鋸刀。

如果無法鎖住鋸刀 1，那麼就先把鎖定套筒 4 朝著箭頭的方向擰轉 90 度，必須擰轉至套筒鎖住並且能夠聽到卡住聲響為止。接著再把鋸刀 1 推入鋸刀接頭 3 中。

- ▶ **檢查鋸刀是否已經裝牢了。** 鬆動的鋸刀可能掉落並傷害您。

從事某些特別的工作時，可以把鋸刀 1 旋轉 180 度 (鋸齒朝上) 后再安裝。

拋出鋸刀 (參考插圖 C)

- ▶ **拋出鋸刀時千萬要握好電動工具，不可以讓彈出的鋸刀傷害旁人或動物。**

把鎖定套筒 4 朝著箭頭的方向擰轉 90 度，此時鋸刀 1 會被拋出。

吸鋸塵 / 吸鋸屑

- ▶ 含鉛的顏料以及某些木材、礦物和金屬的加工廢塵有害健康。機器操作者或者工地附近的人如果接觸、吸入這些廢塵，可能會有過敏反應或者感染呼吸道疾病。

某些塵埃 (例如加工橡木或山毛櫸的廢塵) 可能致癌，特別是和處理木材的添加劑 (例如木材的防腐劑等) 結合之後。只有經過專業訓練的人才能夠加工含石棉的物料。

- 工作場所要保持空氣流通。
- 最好佩戴 P2 濾網等級的口罩。

請留心並遵守貴國和加工物料有關的法規。

- ▶ **避免讓工作場所堆積過多的塵垢。** 塵埃容易被點燃。

操作

操作機器

安裝蓄電池

- ▶ **只能使用博世原廠的鋰離子蓄電池，電池的電壓必須和機器銘牌上提供的電壓一致。** 使用其它廠牌的蓄電池，可能導致意外傷害並造成火災。

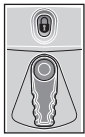
把沖擊次數設定開關 6 調整到中央位置，這樣可以防止不小心開動電動工具。將已經充好電的蓄電池 9，從前端推入電動工具的底座中。把蓄電池完全推入底座中，必須推壓至紅色條紋被遮蓋住，而且蓄電池牢牢地卡在底座中為止。

改變沖擊次數

使用沖擊次數設定開關 6 可以改變電動工具的沖擊次數。如果按住起停開關 7 則無法變換沖擊次數。

20 | 中文

把沖擊次數設定開關 6 調整在中央位置：
制動功能被啟動。



起停開關 7 被堵住，可以防止不小心開動電動工具。

把沖擊次數設定開關 6 調整在左側：

1 檔，低沖擊次數。



加工硬材料（例如鋼材、有色金屬和硬塑料）或者在木材上進行精加工時，適合使用低沖擊次數。

由於沖擊次數低，可以減輕工作時的震動。

把沖擊次數設定開關 6 調整在右側：

2 檔，高沖擊次數。



加工軟材料時適合設定高沖擊次數。沖擊次數高，可以加快工作進度，例如在木材上進行粗加工時。

開動 / 關閉

若要啟動電動工具，請按下電源開關 7 並持續按著。若要關閉電動工具，放開電源開關 7 即可。

調整沖擊次數

您可以無級式調節電動工具的沖擊次數。您在起停開關 7 上的施力大小，可以決定沖擊次數的高低。

正確的沖擊次數必須視工件物料和工作狀況而定。唯有實際操作才能找出最合適的沖擊次數。

起鋸時，或者鋸割塑料、鋁片時最好降低沖擊次數。

有關操作方式的指點

▶ 在電動工具上進行任何維護的工作（例如維修、更換工具等等），以及搬運、保存電動工具之前都必須從機器中取出蓄電池。不小心開動了起停開關可能造成傷害。

活動式底盤（參考插圖 D）

底盤 2 是活動的，可以隨時配合工作表面的角度。

建議

▶ 鋸割輕建材時，必須注意有關的法令規定以及材料供應商提供的建議事宜。

鋸割木材、夾板以及其它建材之前，先檢查工件中是否隱藏了異物，例如釘子和螺絲等。如果發現異物必須馬上拔除。

先開動電動工具再把工具靠在工件上。把底盤 2 靠在工件的表面，接著再使用均勻的壓力或推進力鋸割工件。工作完備後隨手關閉電動工具。

如果鋸刀被夾住了，必須馬上關閉電動工具。使用合適的工具撐開鋸縫並拔出電動工具。

潛鋸（參考插圖 E）

▶ 潛鋸只適用於軟的物料，例如木材、石膏夾板等！
不能在金屬上進行潛鋸。

只能使用短的鋸刀進行潛鋸。

把底盤 2 的下緣頂在工件表面上，然後再開動機器。如果電動工具有沖擊次數設定功能的話，必須選擇最高沖擊次數。用力地把電動工具壓向工件，並讓鋸刀慢慢地潛入工件中。

待底盤 2 平貼著工件表面後，便可以沿著鋸線向前鋸割。

針對特殊的工作，可以把鋸刀 1 翻轉 180 度後再安裝，並且把電鋸翻轉過來操作。

平鋸（參考插圖 F）

使用具有彈性的雙金屬鋸片，能夠鋸平凸出在牆上的建築構件（例如水管等）。

▶ 請注意，鋸刀片的長度務必要大於待割管子的直徑。否則可能有反擊的危險。

把鋸刀直接靠在牆上，側壓電動工具讓底盤貼在牆面上。開動電動工具並使用均勻的側壓力鋸斷工件。

冷卻劑 / 潤滑劑

鋸割金屬時由於物料會變熱，必須在鋸割線上塗抹冷卻劑或潤滑劑。

如何正確地使用蓄電池

保護蓄電池，避免濕氣和水分滲入。

蓄電池必須儲存在攝氏 -20 到 50 度的環境中。夏天不可以把蓄電池擱置在汽車中。

不定時地使用柔軟，清潔而且乾燥的毛刷清潔蓄電池的通氣孔。

充電後如果蓄電池的使用時間明顯縮短，代表蓄電池已經損壞，必須更換新的蓄電池。

請注意有關作廢處理的規定。

維修和服務

維修和清潔

▶ 在電動工具上進行任何維護的工作（例如維修、更換工具等等），以及搬運、保存電動工具之前都必須從機器中取出蓄電池。不小心開動了起停開關可能造成傷害。

▶ 電動工具和通風間隙都必須保持清潔，這樣才能夠提高工作品質和安全性。

最好使用壓縮空氣或軟毛刷清潔鋸片接頭。此時必須先拆卸電動工具上的鋸片，並且使用合適的潤滑劑潤滑接頭，以確保接頭的運作功能。

電動工具如果沾滿污垢，可能會影響機器的功能。因此不可以仰頭鋸割會產生大量灰塵的工件。

顧客服務處和顧客諮詢中心

本公司顧客服務處負責回答有關本公司產品的修理、維護和備件的問題。以下的網頁中有爆炸圖和備件的資料：

www.bosch-pt.com

博世顧客諮詢團隊非常樂意為您解答有關本公司產品及附件的問題。

詢問和訂購備件時，務必提供機器銘牌上標示的 10 位數物品代碼。

台灣

台灣羅伯特博世股份有限公司

建國北路一段 90 號 6 樓

台北市 10491

電話：(02) 2515 5388

傳真：(02) 2516 1176

www.bosch-pt.com.tw

製造商地址：

Robert Bosch Power Tools GmbH

羅伯特·博世電動工具有限公司

70538 Stuttgart / GERMANY

70538 斯圖加特 / 德國

搬運

隨著機器一起供貨的鋰離子蓄電池必須受危險物品法規範。使用者無須另外使用保護包裝便可以運送該蓄電池。

但是如果將它交由第三者運送（例如：寄空運或委託運輸公司）則要使用特殊的包裝和標示。此時必須向危險物品專家請教有關寄送危險物品的相關事宜。

確定蓄電池的外殼未受損後，才可以寄送蓄電池。粘好未加蓋的觸點並包裝好蓄電池，不可以讓蓄電池在包裝中晃動。

必要時也得注意各國有關的法規。

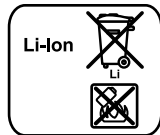
處理廢棄物



必須以符合環保的方式，回收再利用損壞的電動工具，蓄電池，附件和廢棄的包裝材料。

不可以把電動工具和蓄電池 / 電池丟入一般的家庭垃圾中！

蓄電池 / 一般電池：



鋰離子：

請注意“搬運”段落中的指示，頁 21。

保留修改權。

한국어

안전 수칙

전동공구용 일반 안전수칙

⚠ 경고 모든 안전수칙과 지시 사항을 상세히 읽고 지켜야 합니다. 다음의 안전수칙과 지시 사항을 준수하지 않으면 화재 위험이 있으며 감전 혹은 중상을 입을 수 있습니다.

앞으로의 참고를 위해 이 안전수칙과 사용 설명서를 잘 보관하십시오.

다음에서 사용되는 “전동공구” 라는 개념은 전원에 연결하여 사용하는 전동 기기(전선이 있는)나 배터리를 사용하는 전동 기기(전선이 없는)를 의미합니다.

작업장 안전

- ▶ **작업장을 항상 깨끗이 하고 조명을 밝게 하십시오.** 작업장 환경이 어수선하거나 어두우면 사고를 초래할 수 있습니다.
- ▶ **가연성 유체, 가스 또는 분진이 있어 폭발 위험이 있는 환경에서 전동공구를 사용하지 마십시오.** 전동공구는 분진이나 증기에 점화하는 스파크를 일으킬 수 있습니다.
- ▶ **전동공구를 사용할 때 구경꾼이나 어린이 혹은 다른 사람이 작업장에 접근하지 못하게 하십시오.** 다른 사람이 주의를 산만하게 하면 기기에 대한 통제를 잃기 쉽습니다.

전기에 관한 안전

- ▶ **전동공구의 전원 플러그가 전원 콘센트에 잘 맞아야 합니다.** 플러그를 조금이라도 변경시켜서는 안됩니다. 접지된 전동공구를 사용할 때 어댑터 플러그를 사용하지 마십시오. 변형되지 않은 플러그와 잘 맞는 콘센트를 사용하면 감전의 위험을 감소할 수 있습니다.
- ▶ **파이프 관, 라디에이터, 레인지, 냉장고와 같은 접지 표면에 몸이 닿지 않도록 하십시오.** 몸에 닿을 경우 감전될 위험이 높습니다.
- ▶ **전동공구를 비에 맞지 않게 하고 습기 있는 곳에 두지 마십시오.** 전동공구에 물이 들어가면 감전될 위험이 높습니다.
- ▶ **전원 코드를 잡고 전동공구를 운반하거나 걸어 놓아서 안되며, 콘센트에서 전원 플러그를 뽑을 때 전원 코드를 잡아 당겨서는 절대로 안됩니다.** 전원 코드가 열과 오일에 접촉하는 것을 피하고, 날카로운 모서리나 기기의 가동 부위에 닿지 않도록 주의하십시오. 손상되거나 엉킨 전원 코드는 감전을 유발할 수 있습니다.
- ▶ **실외에서 전동공구로 작업할 때는 실외용으로 적당한 연장 전원 코드만을 사용하십시오.** 실외용 연장 전원 코드를 사용하면 감전의 위험을 줄일 수 있습니다.

22 | 한국어

- ▶ 전동공구를 습기 찬 곳에서 사용해야 할 경우에는 누전 차단기를 사용하십시오. 누전 차단기를 사용하면 감전 위험을 줄일 수 있습니다.

사용자 안전

- ▶ 신중하게 작업하십시오. 작업을 할 때 주의를 하며, 전동공구를 사용할 때 경솔하게 행동하지 마십시오. 피로한 상태이거나 약을 복용 및 음주한 후에는 전동공구를 사용하지 마십시오. 전동공구를 사용할 때 잠시라도 주의를 산만해지면 중상을 입을 수 있습니다.
- ▶ 작업자 안전을 위한 장치를 사용하십시오. 항상 보안경을 착용하십시오. 전동공구의 종류와 사용에 따라 먼지 보호 마스크, 미끄러지지 않는 안전한 신발, 안전모 또는 귀마개 등의 안전한 복장을 하면 상해의 위험을 줄일 수 있습니다.
- ▶ 실수로 기기가 작동되지 않도록 주의하십시오. 전동공구를 전원에 연결하거나 배터리를 끼우기 전에, 혹은 기기를 들거나 운반하기 전에, 전원 스위치가 꺼져 있는지 다시 확인하십시오. 전동공구를 운반할 때 전원 스위치가 손가락을 대거나 전원 스위치가 켜진 상태에서 전원을 연결하면 사고 위험이 높습니다.
- ▶ 전동공구를 사용하기 전에 조절하는 툴이나 나사 키 등을 빼 놓으십시오. 회전하는 부위에 있는 툴이나 나사 키로 인해 상해를 입을 수 있습니다.
- ▶ 자신을 과신하지 마십시오. 불안정한 자세를 피하고 항상 평형한 상태로 작업하십시오. 안정된 자세와 평형한 상태로 작업해야만이 의외의 상황에서도 전동공구를 안전하게 사용할 수 있습니다.
- ▶ 알맞은 작업복을 입으십시오. 헐렁한 복장을 하거나 장신구를 착용하지 마십시오. 머리카락이나 옷 또는 장갑이 가동하는 기기 부위에 가까이 닿지 않도록 주의하십시오. 헐렁한 복장, 장신구 혹은 긴 머리는 가동 부위에 말려 사고를 초래할 수 있습니다.
- ▶ 분진 추출장치나 수거장치의 조립이 가능한 경우, 이 장치가 연결되어 있는지, 제대로 작동이 되는지 확인하십시오. 이러한 분진 추출장치를 사용하면 분진으로 인한 사고 위험을 줄일 수 있습니다.

전동공구의 올바른 사용과 취급

- ▶ 기기를 과부하 상태에서 사용하지 마십시오. 작업할 때 이에 적당한 전동공구를 사용하십시오. 알맞은 전동공구를 사용하면 지정된 성능 한도 내에서 더 효율적으로 안전하게 작업할 수 있습니다.
- ▶ 전원 스위치가 고장 난 전동공구를 사용하지 마십시오. 전원 스위치가 작동되지 않는 전동공구는 위험하므로, 반드시 수리를 해야 합니다.
- ▶ 기기에 세팅을 하거나 액세서리 부품을 교환하거나 혹은 기기를 보관할 때, 항상 전원 콘센트에서 플러그를 미리 빼어 놓으십시오. 이러한 조치는 실수로 전동공구가 작동하게 되는 것을 예방합니다.
- ▶ 사용하지 않는 전동공구는 어린이 손이 닿지 않는 곳에 보관하고, 전동공구 사용에 익숙지 않거나 이 사용 설명서를 읽지 않은 사람은 기기를 사용해서는 안 됩니다. 경험이 없는 사람이 전동공구를 사용하면 위험합니다.

- ▶ 전동공구를 조심스럽게 관리하십시오. 가동 부위가 하자 없이 정상적인 기능을 하는지, 걸리는 부위가 있는지, 혹은 전동공구의 기능에 중요한 부품이 손상되지 않았는지 확인하십시오. 손상된 기기의 부품은 전동공구를 다시 사용하기 전에 반드시 수리를 맡기십시오. 제대로 관리하지 않은 전동공구의 경우 많은 사고를 유발합니다.
- ▶ 절단 공구를 날카롭고 깨끗하게 관리하십시오. 날카로운 절단면이 있고 잘 관리된 절단공구는 걸리는 경우가 드물고 조절하기도 쉽습니다.
- ▶ 전동공구, 액세서리, 장착하는 공구 등을 사용할 때, 이 지시 사항과 특별히 기종 별로 나와있는 사용 방법을 준수하십시오. 이때 작업 조건과 실시하려는 작업 내용을 고려하십시오. 원래 사용 분야가 아닌 다른 작업에 전동공구를 사용할 경우 위험한 상황을 초래할 수 있습니다.

충전 전동공구의 올바른 사용과 취급


- ▶ 배터리를 충전할 때 제조 회사가 추천하는 충전기만을 사용하여 재충전해야 합니다. 특정 제품의 배터리를 위하여 제조된 충전기에 적합하지 않은 다른 배터리를 충전할 경우 화재 위험이 있습니다.
- ▶ 각 전동공구용으로 나와있는 배터리만을 사용하십시오. 다른 종류의 배터리를 사용하면 상해를 입거나 화재를 초래할 수 있습니다.
- ▶ 배터리를 사용하지 않을 때는, 각 극 사이에 브리징 상태가 생길 수 있으므로 페이퍼 클립, 동전, 열쇠, 못, 나사 등 유사한 금속성 물체와 멀리하여 보관하십시오. 배터리 극 사이에 쇼트가 일어나 화상을 입거나 화재를 야기할 수 있습니다.
- ▶ 배터리를 잘못 사용하면 누수가 생길 수 있습니다. 누수가 생긴 배터리에 닿지 않도록 하십시오. 피부에 접하게 되었을 경우 즉시 물로 씻으십시오. 유체가 눈에 닿았을 경우 바로 의사와 상담하십시오. 배터리에서 나오는 유체는 피부에 자극을 주거나 화상을 입힐 수 있습니다.

서비스

- ▶ 전동공구 수리는 반드시 전문 인력에게 맡기고, 수리 정비 시 보쉬 순정 부품만을 사용하십시오. 그렇게 함으로써 기기의 안전성을 오래 유지할 수 있습니다.

전동 흡입 안전 수칙

- ▶ 작업할 때 톱날로 보이지 않는 전선에 닿을 위험이 있으면 전동공구의 절연된 손잡이 면을 잡으십시오. 톱날이 전류가 흐르는 전선에 접하게 되면 기기의 금속 부위에 전기가 통해 감전될 위험이 있습니다.
- ▶ 절단 부위에 손을 가까이 대지 마십시오. 작업물의 아래쪽을 잡지 마십시오. 날과 접하게 되면 상해를 입을 수 있습니다.
- ▶ 전동공구를 켜 상태에서만 작업물에 서서히 접근하십시오. 그렇지 않으면 톱날이 작업물에 걸리면서 반동이 생길 위험이 있습니다.

- ▶ **톱질작업을 할 때 밀판 2가 항상 작업물에 닿아 있어야 합니다.** 그렇지 않으면 톱날이 걸릴 수 있으며 이로 인해 전동공구에 대한 통제를 잃을 수 있습니다.
 - ▶ **작업을 마치고 나서 전동공구의 스위치를 끄고 기기가 완전히 정지된 후에 절단면에서 톱날을 빼십시오.** 이렇게 하면 반동이 생기는 것을 방지할 수 있으며 전동공구를 안전하게 내려 놓을 수 있습니다.
 - ▶ **반드시 손상되지 않은 하자 없는 톱날만을 사용하십시오.** 휘거나 날카롭지 않은 톱날이 부러져 절단에 지장을 주거나 반동을 유발할 수 있습니다.
 - ▶ **스위치를 끄고 나서 톱날을 옆에서 눌러 정지해서는 안됩니다.** 이로 인해 톱날이 손상되거나 부러질 수 있으며 혹은 반동을 유발할 수 있습니다.
 - ▶ **작업하려는 소재를 잘 고정하십시오.** 작업물을 손이나 발로 받치지 마십시오. 전동 톱이 켜진 상태에서 다른 물건이나 바닥에 닿지 않도록 하십시오. 반동이 생길 위험이 있습니다.
 - ▶ **보이지 않는 부위에 에너지 배선 및 배관여부를 확인하려면 적당한 탐지기를 사용하거나 담당 에너지 공급회사에 문의하십시오.** 전선에 접촉하게 되면 화재나 전기 충격을 유발할 수 있습니다. 가스관을 손상시키면 폭발 위험이 있으며 수도관을 파손하게 되면 재산 피해를 야기할 수 있습니다.
 - ▶ **전동공구를 두 손으로 꼭 잡고 안전한 자세로 작업하십시오.** 전동공구는 두 손으로 사용하면 더 안전합니다.
 - ▶ **작업물을 잘 고정하십시오.** 고정장치나 기계 바이스에 끼워서 작업하면 손으로 잡는 것보다 더 안전합니다.
 - ▶ **전동공구를 내려놓기 전에 기기가 완전히 멈추었는지를 확인하십시오.** 벨트가 걸려 전동공구에 대한 통제가 어려워질 수 있습니다.
 - ▶ **배터리를 분해하지 마십시오.** 단락이 발생할 위험이 있습니다.
- 

배터리를 태양 광선 등 고열에 장시간 노출되지 않도록 하고 불과 물, 수분이 있는 곳에 두지 마십시오. 폭발할 위험이 있습니다.
- ▶ **배터리가 손상되었거나 잘못 사용될 경우 증기가 발생할 수 있습니다.** 작업장을 환기시키고, 필요한 경우 의사와 상담하십시오. 증기로 인해 호흡기가 자극될 수 있습니다.
 - ▶ **배터리를 보쉬 전동공구와 함께 사용해야 합니다.** 그렇게 해야만 배터리를 위험한 과부하로부터 보호할 수 있습니다.
 - ▶ **못이나 스크류 드라이버 같은 뾰족한 물체 또는 외부에서 오는 충격 등으로 인해 배터리가 손상될 수 있습니다.** 내부 단락이 발생하여 배터리가 타거나 연기가 발생하고, 폭발 또는 과열될 수 있습니다.

제품 및 성능 소개



모든 안전수칙과 지시 사항을 상세히 읽고 지켜야 합니다. 다음의 안전수칙과 지시 사항을 준수하지 않으면 화재 위험이 있으며 감전 혹은 중상을 입을 수 있습니다.

규정에 따른 사용

본 전동공구는 목재 플라스틱 금속 그리고 건축 자재에 톱질작업을 하는 데 사용해야 합니다. 직선 및 곡선 절단작업에 적합합니다. 적당한 바이메탈 톱날을 사용하면 작업을 표면에 플러시 절단작업도 가능합니다. 권장하는 톱날을 사용해야 합니다.

제품의 주요 명칭

제품의 주요 명칭에 표기되어 있는 번호는 기기 그림이 나와있는 면을 참고하십시오.

- 1 톱날 *
- 2 각도 조절이 가능한 밀판
- 3 톱날 홀더
- 4 톱날 고정 슬리브
- 5 리프팅 로드
- 6 스트로크 수 선택 스위치
- 7 전원 스위치
- 8 배터리 해제 버튼
- 9 배터리*
- 10 손잡이 (절연된 손잡이 부위)
- 11 충전 상태 표시기용 버튼*
- 12 배터리 충전 상태 표시기*

*도면이나 설명서에 나와있는 액세서리는 표준 공급부품에 속하지 않습니다. 전체 액세서리는 저회 액세서리 프로그램을 참고하십시오.

제품 사양

전동 톱	GSA 18 V-Li	
제품 번호	3 601 F4J 0..	
정격 전압	V=	18
무부하 시 스트로크 수 n ₀		
- 1 단	min ⁻¹	0-2400
- 2 단	min ⁻¹	0-2700
톱 홀더	SDS	
스트로크 수 제어	●	
스트로크	mm	28
최대 절단 깊이		
- 목재	mm	250
- 비금속	mm	20
- 파이프 직경	mm	130

* 사용하는 배터리에 따라 상이

** 온도가 0°C 보다 낮은 경우 성능 제한 있음

기계 사양은 함께 공급되는 배터리를 사용한 경우입니다.

24 | 한국어

전동 톱	GSA 18 V-Li	
EPTA 규정 01:2014 에 따른 중량	kg	3.2 - 3.7*
허용되는 주변 온도		
- 충전 시	°C	0...+45
- 작동 시** 및 보관 시	°C	-20...+50
권장 배터리		GBA 18 V...
권장하는 충전기		AL 18..

* 사용하는 배터리에 따라 상이
** 온도가 0°C 보다 낮은 경우 성능 제한 있음
기계 사양은 함께 공급되는 배터리를 사용한 경우입니다.

조립

배터리 충전하기

▶ **기술자료에 기재되어 있는 충전기만 사용하십시오.** 이 충전기만이 귀하의 전동공구에 사용된 리튬-이온 배터리에 적합합니다.

참고: 배터리는 일부 충전되어 공급됩니다. 배터리의 성능을 완전하게 보장하기 위해서는 처음 사용하기 전에 배터리를 완전히 충전기에 충전하십시오.

리튬이온 배터리는 항상 충전할 수 있으며, 이로 인해 수명이 단축되지 않습니다. 충전을 하다 중간에 중지해도 배터리가 손상되지 않습니다.

리튬이온 배터리는 “전자 셀 보호 (ECP)” 기능이 있어 과도한 방전이 되지 않습니다. 배터리가 방전되면 안전 스위치가 작동하여 전동공구가 꺼지고 비트가 더 이상 움직이지 않습니다.

▶ **전동공구가 자동으로 작동이 중단된 경우 전원 스위치를 더 계속 누르지 마십시오.** 이로 인해 배터리가 손상될 수 있습니다.

처리에 관련된 지시 사항을 준수하십시오.

배터리 탈착하기

배터리 9는 배터리 해제 버튼 8이 실수로 눌러져 배터리가 빠지는 것을 방지하기 위해 잠금장치가 이종으로 되어 있습니다. 전동공구에 배터리가 끼워져 있는 동안 이는 스프링으로 제 위치에 고정됩니다.

배터리 9를 빼려면 해제 버튼 8을 누른 상태로 배터리를 전동공구 뒤쪽으로 잡아 당기면 됩니다. **이때 무리하게 힘을 가하지 마십시오.**

배터리 충전 상태 표시기 (그림 A 참조)

배터리 충전 상태 표시기 12에 있는 세 개의 녹색 LED는 배터리 9의 충전 상태를 표시합니다. 안전을 위하여 충전 상태의 확인은 전동공구가 중지된 상태에서야 가능합니다.

충전 상태를 확인하려면 버튼 11을 누르십시오. 이는 배터리 9가 탈착된 경우에도 가능합니다.

LED	용량
연속등 3 x 녹색	≥ 2/3
연속등 2 x 녹색	≥ 1/3
연속등 1 x 녹색	< 1/3
점멸등 1 x 녹색	예비

버튼 11을 눌렀는데도 LED가 켜지지 않으면 배터리가 손상된 것이므로 교환해 주어야 합니다.

톱날 끼우기 / 교환하기

▶ **전동공구에 각종 작업을 하기 전에 배터리를 빼십시오.**

▶ **톱날을 끼울 때 보호 장갑을 착용하십시오.** 톱날에 닿게 되면 상해를 입을 수 있습니다.

▶ **톱날을 교환할 때 톱날 홀더에 절단 시 생기는 목재의 톱밥이나 금속 찌꺼기가 남아 있지 않은지 확인하십시오.**

톱날 선택하기

반드시 작업하려는 소재에 적당한 톱날만을 사용하십시오.

추천 톱날의 목록은 이 사용서의 앞부분에 나와 있습니다. 3/8" (12.7 mm)- 유니버설 샤프트가 있는 톱날만을 끼우십시오. 톱날이 계획한 절단 깊이보다 길어서는 안됩니다.

폭이 좁은 곡선 작업을 하려면 가는 톱날을 사용하십시오.

톱날 끼우기 (그림 B 참조)

톱날 1을 끼워지는 소리가 날 때까지 힘껏 톱날 홀더 3 안으로 눌러 끼웁니다. 이렇게 하면 고정 슬리브 4가 자동으로 약 90° 돌아가며 톱날을 고정합니다. 톱날 1이 고정되지 않으면 고정 슬리브 4를 열린 위치에서 고정되고 걸리는 소리가 날 때까지 약 90° 정도 화살표 방향으로 돌리십시오. 그리고 나서 톱날 1을 다시 톱날 홀더 3 안으로 눌러 끼웁니다.

▶ **톱날이 제대로 끼워졌는지 확인해 보십시오.** 느슨하게 걸린 톱날은 빠질 수 있으며 이로 인해 작업자가 상해를 입을 수 있습니다.

특정한 작업을 할 경우 톱날 1을 또한 180° 돌린 다음 (톱니가 위로 향하게 하여) 다시 끼울 수 있습니다.

톱날 빼기 (그림 C 참조)

▶ **톱날을 뺄 때 빠지는 톱날로 인해 사람이나 동물이 다치지 않도록 하여 전동공구를 잡으십시오.**

고정 슬리브 4를 화살표 방향으로 약 90° 돌리면 톱날 1이 빠져 나옵니다.

분진 및 톱밥 추출장치

▶ **납 성분을 포함한 페인트나 몇몇 나무 종류, 또는 광물 성분 그리고 철과 같은 재료의 분진은 건강을 해칠 수 있습니다.** 이 분진을 만지거나 호흡할 경우, 사용자나 주변 사람들은 알레르기 반응이나 호흡기 장애를 일으킬 수 있습니다.

떡갈나무나 너도밤나무와 같은 특정한 분진은 암을 유발시키며, 특히 목재 처리용으로 사용되는 부가 원료 (크로마트, 목재 보호제)와 혼합되면 암을 유발 시키게 됩니다. 석면 성분을 포함한 재료는 오직 전문가가 작업을 해야 합니다.

- 작업장의 통풍이 잘 되도록 하십시오.
- 필터등급 P2 가 장착된 호흡 마스크를 사용하십시오.

작업용 재료에 관해 국가가 지정한 규정을 고려 하십시오.

▶ **작업장에 분진이 쌓이지 않도록 하십시오.** 분진이 쉽게 발화할 수 있습니다.

작동

기계 시동

배터리 장착하기

▶ **반드시 귀하의 전동공구 타입 표시판에 나와 있는 전압의 보쉬 순정 리튬이온 배터리를 사용하십시오.** 다른 배터리를 사용하면 상해를 입거나 화재가 발생할 위험이 있습니다.

전동공구가 실수로 켜지는 것을 방지하기 위해 스트로크 수 선택 스위치 6 을 가운데 위치에 놓으십시오. 충전된 배터리 9 를 앞에서 부터 전동공구 베이스 쪽으로 밀어 넣습니다. 빨간 선이 더 이상 보이지 않고 배터리가 확실히 걸릴 때까지 배터리를 베이스 쪽으로 끝까지 눌러 끼우십시오.

스트로크 수 선택하기

스트로크 수 선택 스위치 6 을 사용하여 전동공구의 스트로크 수를 변환할 수 있습니다. 그러나 전원 스위치 7 이 눌러진 상태에서는 불가능합니다.

스트로크 수 선택 스위치 6 이 중간에 위치 :

안전 잠금장치가 작동.



전원 스위치 7 이 잠겨 있어 전동공구가 실수로 켜지는 것을 방지합니다.

스트로크 수 선택 스위치 6 이 왼쪽에 위치 :

1 단, 저속.



저속 단계는 철재, 비금속, 단단한 플라스틱 등 경질의 소재에 작업하거나 목재에 섬세한 절단작업을 할 때 혹은 삽입 톱질작업을 하는 데 적합합니다.

낮은 스트로크 수는 저전동 상태에서의 작업을 가능하게 합니다.

스트로크 수 선택 스위치 6 이 오른쪽에 위치 :

2 단, 고속.



고속 단계는 연질의 소재에 작업하는 데 적합합니다.

높은 스트로크 수로 작업하면 목재를 대략 절단하는 경우처럼 빨리 작업을 진행할 수 있습니다.

전원 스위치 작동

전동공구를 **켜려면** 전원 스위치 7 을 누르고 누른 상태를 유지하십시오.

전동공구의 **스위치를 끄려면** 전원 스위치 7 을 놓으십시오.

스트로크 수 조절하기

전동공구가 켜진 상태에서 전원 스위치 7 을 어느 정도 누르는 가에 따라 스트로크 수를 무단으로 조절할 수 있습니다.

작업 소재와 작업 조건에 따라 필요로 하는 스트로크 수가 달라지므로 실제 시험을 통해 결정할 수 있습니다. 톱날을 작업물에 대거나 플라스틱과 알루미늄에 톱질작업을 할 때 스트로크 수를 감소하는 것이 좋습니다.

사용방법

▶ **전동공구에 각종 작업 (보수 정비 및 액세서리 교환 등) 을 하거나 전동공구를 운반하거나 보관할 경우 배터리를 전동공구에서 빼십시오.** 실수로 전원 스위치가 작동하게 되면 상해를 입을 위험이 있습니다.

각도 조절이 가능한 밀판 (그림 D 참조)

밀판 2 는 조절이 가능하므로 각각의 필요한 표면 각도 위치에 맞게 맞출 수 있습니다.

참고

▶ **연질의 건축 자재에 톱질작업을 할 경우 법정 규정에 따르고 소재 제조사의 추천 내용을 준수하십시오.**

목재, 판지, 건축자재 등에 톱질작업을 할 때 못이나 나사같은 이물질이 있는지 확인하고, 있다면 이를 제거하십시오.

전동공구의 스위치를 켜고 작업하려는 작업물에 접근하십시오. 밀판 2 를 작업물 위에 올려 놓고 일정한 압력으로 밀면서 절단하십시오. 작업을 마치고 나서 전동공구의 스위치를 끄니다.

톱날이 물려 움직이지 않을 경우 곧바로 전동공구의 스위치를 끄십시오. 적당한 공구를 사용하여 톱날이 끼인 틈새를 약간 벌린 후 전동공구를 빼냅니다.

삽입 절단작업 (플러지 컷) (그림 E 참조)

▶ **삽입 톱질 방식은 목재와 석고판 등 연질의 소재 작업 시에만 사용해야 합니다! 금속 소재에는 삽입 톱질 방식으로 작업해서는 안됩니다!**

삽입 톱질작업을 하려면 반드시 짧은 톱날을 사용해야 합니다.

26 | 한국어

밀판 2 모서리가 작업을 표면에 닿게 놓은 다음, 전동 공구의 스위치를 켭니다. 스트로크 수 제어장치가 있는 전동공구의 경우 최대 값으로 선택하십시오. 전동공구를 작업물에 대고 누르고 톱날을 천천히 작업물 안으로 들어가게 합니다.

밀판 2 가 작업을 표면에 완전히 닿게 되면 원하는 절 단선을 따라 계속 절단작업을 하십시오.

특정한 작업을 할 경우 톱날 1을 또한 180° 돌려서 끼우고 전동 톱을 이에 맞게 돌려서 사용할 수 있습니다.

플러시 절단작업 (그림 F 참조)

탄성이 있는 바이메탈 톱날을 사용하면 바로 벽 옆으로 나와있는 배수관 등의 건축 자재를 절단할 수 있습니다.

▶ **이때 톱날이 항상 작업하려는 소재의 직경보다 길어 야 하는 것에 주의하십시오. 반동이 생길 위험이 있습니다.**

톱날을 벽 바로 옆에 대고 밀판이 벽에 닿을 때까지 전 동공구에 가로 압력을 가하여 약간 휘게 합니다. 전동 공구의 스위치를 켜고 일정한 가로 압력을 가하며 작업 물을 절단하십시오.

냉각제 / 윤활제

금속에 톱질작업을 할 때 작업물이 과열되기 때문에 절 단선을 따라 냉각제나 윤활제를 발라 주어야 합니다.

올바른 배터리의 취급 방법

배터리를 습기나 물이 있는 곳에 두지 마십시오.

배터리를 -20°C에서 50°C 온도 범위에서만 저장하십시오. 예를 들면 배터리를 여름에 자동차 안에 두지 마십시오.

가끔 배터리의 통풍구를 부드럽고 깨끗한 마른 솔로 청소하십시오.

충전 후 작동 시간이 현저하게 짧아지면 배터리의 수명이 다한 것이므로 배터리를 교환해야 합니다.

처리에 관련된 지시 사항을 준수하십시오.

보수 정비 및 서비스

보수 정비 및 유지

▶ 전동공구에 각종 작업 (보수 정비 및 액세서리 교환 등)을 하거나 전동공구를 운반하거나 보관할 경우 배터리를 전동공구에서 빼십시오. 실수로 전원 스위치가 작동하게 되면 상해를 입을 위험이 있습니다.

▶ 안전하고 올바른 작동을 위하여 전동공구와 전동공구의 통풍구를 항상 깨끗이 하십시오.

가능하면 압축 공기나 부드러운 솔을 사용하여 톱날 홀더를 깨끗이 닦아 주십시오. 이때 톱날을 전동공구에서 빼십시오. 적당한 윤활제를 사용하여 톱날 홀더의 기능을 유지하십시오.

전동공구가 지나치게 오염되어 있으면 기능 장애가 생길 수 있습니다. 그렇기 때문에 분진이 많이 발생하는 소재에 톱질작업을 할 때 아래서부터 또는 머리 위에서 작업하지 마십시오.

보쉬 AS 및 고객 상담

보쉬는 귀하의 제품 및 수리에 관한 문의를 받고 있습니다.

AS 센터 정보 및 제품에 대한 고객 상담은 하기 고객 콜센터 및 이메일 상담을 이용해주시기 바랍니다.

고객 콜센터 : 080-955-0909

이메일 상담 :

Bosch-pt.hotline@kr.bosch.com

문의 사항이 있거나 스페어 부품을 주문할 때 반드시 전동공구의 타입 표시판에 적힌 10 자리의 제품 번호를 알려 주십시오.

Bosch Korea, RBKR
Mechanics and Electronics Ltd.

PT/SAX-ASA
298 Bojeong-dong Giheung-gu
Yongin-si, Gyeonggi-do, 446-913
Republic of Korea
080-955-0909

운반


포함되어 있는 리튬이온 배터리는 위험물 관련 규정을 따라야 합니다. 사용자가 별도의 요구사항 없이 배터리를 직접 도로 상에서 운반할 수 있습니다.

제 3 자를 통해 운반할 경우 (항공 운송이나 운송 회사 등) 포장과 표기에 관한 특별한 요구 사항을 준수해야 합니다. 이 경우 발송 준비를 위해 위험물 전문가와 상담해야 합니다.

표면이 손상되지 않은 배터리만을 사용하십시오. 배터리의 접촉 단자면을 덮어 불인 상태로 내부에서 움직이지 않도록 배터리를 포장하십시오.

또한 이와 관련한 국내 규정을 준수하십시오.

처리

 전동공구, 배터리, 액세서리 및 포장은 친환경적인 방법으로 재활용할 수 있도록 분류하십시오.

전동공구와 충전용 배터리 / 배터리를 가정용 쓰레기로 처리하지 마십시오!

충전용 배터리 / 배터리 :



Li-Ion:
"운반" 내용에 나와 있는 주의 사항을 준수하십시오 (26 페이지).

위 사항은 사전 예고 없이 변경될 수도 있습니다.

ภาษาไทย

กฎระเบียบเพื่อความปลอดภัย

คำเตือนทั่วไปเพื่อความปลอดภัยในการใช้เครื่องมือไฟฟ้า

⚠ คำเตือน ต้องอ่านคำเตือนเพื่อความปลอดภัยและคำสั่งทั้งหมด การไม่ปฏิบัติตามคำเตือนและคำสั่งอาจเป็นสาเหตุให้ถูกไฟฟ้าดูด เกิดไฟไหม้ และ/หรือได้รับบาดเจ็บอย่างร้ายแรง

เก็บรักษาคำเตือนและคำสั่งทั้งหมดสำหรับเปิดอ่านในภายหลัง

คำว่า "เครื่องมือไฟฟ้า" ในคำเตือนหมายถึง เครื่องมือไฟฟ้าของท่านที่ทำงานด้วยพลังงานไฟฟ้าที่ต่อจากเต้าเสียบ (มีสายไฟฟ้า) และเครื่องมือไฟฟ้าที่ทำงานด้วยพลังงานไฟฟ้าจากแบตเตอรี่ (ไร้สาย)

ความปลอดภัยในสถานที่ทำงาน

- ▶ รักษาสถานที่ทำงานให้สะอาดและมีไฟส่องสว่างดี สถานที่ที่มีมืดหรือรกรุงรังนำมาซึ่งอุบัติเหตุ
- ▶ อย่าใช้เครื่องมือไฟฟ้าในสภาพแวดล้อมที่เสี่ยงต่อการติดระเบิดได้ เช่น ในที่มีขงเหลว แก๊ส หรือฝุ่นที่ติดไฟได้ เมื่อใช้เครื่องมือไฟฟ้าจะเกิดประกายไฟซึ่งอาจจุดฝุ่นหรือไอให้ลุกเป็นไฟได้
- ▶ ขณะใช้เครื่องมือไฟฟ้าทำงาน ต้องกั้นเด็กและผู้ยืนดูให้ออกห่าง การหันเหความสนใจอาจทำให้ท่านขาดการควบคุมเครื่องได้

ความปลอดภัยเกี่ยวกับไฟฟ้า

- ▶ ปลั๊กของเครื่องมือไฟฟ้าต้องมีขนาดพอดีกับเต้าเสียบ อย่าตัดแปลงหรือแก้ไขตัวปลั๊กอย่างเด็ดขาด อย่าต่อปลั๊กต่อใดๆ เข้ากับเครื่องมือไฟฟ้าที่มีสายดิน ปลั๊กที่ไม่ตัดแปลงและเต้าเสียบที่เข้ากันช่วยลดความเสี่ยงจากการถูกไฟฟ้าดูด
- ▶ หลีกเลี่ยงไม่ให้ร่างกายสัมผัสกับพื้นผิวของสิ่งของที่ต่อสายดินไว้ เช่น ท่อ เครื่องทำความร้อน เตา และตู้เย็น จะเสี่ยงอันตรายจากการถูกไฟฟ้าดูดมากชิ้นหากกระแสไฟฟ้าวิ่งผ่านร่างกายของท่านลงดิน
- ▶ อย่าวางเครื่องมือไฟฟ้าคาบฝาหรือทิ้งไว้ในที่ชื้นและหากน้ำเข้าในเครื่องมือไฟฟ้า จะเพิ่มความเสี่ยงจากการถูกไฟฟ้าดูด
- ▶ อย่าใช้สายไฟฟ้าอย่างผิดๆ อย่าถือเครื่องมือไฟฟ้าที่สาย อย่าใช้สายแขวนเครื่อง หรือยัดสายไฟฟ้าเพื่อถอดปลั๊กออกจากเต้าเสียบ กั้นสายไฟให้ออกห่างจากความร้อน น้ำมัน ขอบแหลมคม หรือส่วนของเครื่องที่กำลังเคลื่อนไหว สายไฟฟ้าที่ชำรุดหรือพันกันยุ่ง เพิ่มความเสี่ยงจากการถูกไฟฟ้าดูด
- ▶ เมื่อใช้เครื่องมือไฟฟ้าทำงานกลางแจ้ง ให้ใช้สายไฟตบที่ได้รับการรับรองให้ใช้ต่อในที่กลางแจ้งเท่านั้น การใช้สายไฟต่อที่เหมาะสมสำหรับงานกลางแจ้งช่วยลดอันตรายจากการถูกไฟฟ้าดูด

- ▶ หากไม่สามารถหลีกเลี่ยงการใช้เครื่องมือไฟฟ้าทำงานในสถานที่เปียกชื้นได้ ให้ใช้สวิตช์ตัดวงจรเมื่อเกิดการรั่วไหลของไฟฟ้าจากสายดิน การใช้สวิตช์ตัดวงจรเมื่อเกิดการรั่วไหลของไฟฟ้าจากสายดินช่วยลดความเสี่ยงต่อการถูกไฟฟ้าดูด

ความปลอดภัยของบุคคล

- ▶ ท่านต้องอยู่ในสภาพเตรียมพร้อม ระมัดระวังในสิ่งที่กำลังทำอยู่ และมีสติขณะใช้เครื่องมือไฟฟ้าทำงาน อย่าใช้เครื่องมือไฟฟ้าขณะที่ท่านกำลังเหนื่อย หรืออยู่ภายใต้การครอบงำของฤทธิ์ของยาเสพติด แอลกอฮอล์ และยา เมื่อใช้เครื่องมือไฟฟ้าทำงาน ในชั่วขณะที่ท่านขาดความเอาใจใส่อาจทำให้บุคคลบาดเจ็บอย่างรุนแรงได้
- ▶ ใช้อุปกรณ์ปกป้องร่างกาย สวมแว่นตาป้องกันเสมอ อุปกรณ์ปกป้อง เช่น หน้ากากกันฝุ่น รองเท้ากันลื่น หมวกแข็ง หรือประภคทุกชิ้นเสียดัง ที่เลือกใช้ตามความเหมาะสมกับสภาพการทำงาน สามารถลดอันตรายต่อบุคคลได้
- ▶ ป้องกันการติดเครื่องโดยไม่ตั้งใจ ต้องดูให้แน่ใจว่าสวิตช์อยู่ในตำแหน่งปิดก่อนเสียบปลั๊กไฟเข้าในเต้าเสียบ และ/หรือใส่แท่งแบตเตอรี่ ชีตขึ้นหรือถือเครื่องมือ การถือเครื่องโดยไม่ตั้งใจที่สวิตช์ หรือเสียบปลั๊กไฟขณะที่สวิตช์เปิดอยู่ อาจนำไปสู่อุบัติเหตุที่ร้ายแรงได้
- ▶ เอาเครื่องมือปรับแต่งหรือประแจปากตายออกจากเครื่องมือไฟฟ้าก่อนเปิดสวิตช์ เครื่องมือหรือประแจปากตายที่วางอยู่กับส่วนของเครื่องที่กำลังหมุนจะทำให้บุคคลบาดเจ็บได้
- ▶ หลีกเลี่ยงการตั้งท่าที่ผิดปกติ ตั้งขาขึ้นที่มั่นคงและวางน้ำหนักให้สมดุลตลอดเวลา ในลักษณะนี้ท่านสามารถควบคุมเครื่องมือไฟฟ้าในสถานการณ์ที่ไม่คาดคิดได้ดีกว่า
- ▶ ใส่เสื้อผ้าที่เหมาะสม อย่าใส่เสื้อผ้าหลวมหรือสวมเครื่องประดับ เอาหมวก เสื้อผ้า และถุงมือออกห่างส่วนของเครื่องที่กำลังหมุน เสื้อผ้าหลวม เครื่องประดับ และผมยาวอาจเข้าไปติดในส่วนของเครื่องที่กำลังหมุนได้
- ▶ หากต้องต่อเครื่องมือไฟฟ้าเข้ากับเครื่องดูดฝุ่นหรือเครื่องเก็บผง ดูให้แน่ใจว่าการเชื่อมต่อและการใช้งานเป็นไปอย่างถูกต้อง การใช้อุปกรณ์ดูดฝุ่นช่วยลดอันตรายที่เกิดจากฝุ่นได้

การใช้และการดูแลรักษาเครื่องมือไฟฟ้า

- ▶ อย่าใช้เครื่องมือไฟฟ้าอย่างหักโหม ใช้เครื่องมือไฟฟ้าที่ถูกต้องตรงตามลักษณะงาน เครื่องมือไฟฟ้าที่ต้องจะทำงานได้ดีกว่าและปลอดภัยกว่าในระดับสมรรถภาพที่ออกแบบไว้
- ▶ อย่าใช้เครื่องมือไฟฟ้าที่สวิตช์เปิดปิดเสีย เครื่องมือไฟฟ้าที่ไม่สามารถควบคุมการเปิดปิดด้วยสวิตช์ได้ เป็นเครื่องมือไฟฟ้าที่ไม่ปลอดภัยและต้องส่งซ่อมแซม
- ▶ ก่อนปรับแต่งเครื่อง เปลี่ยนอุปกรณ์ประกอบ หรือเก็บเครื่องเข้าที่ ต้องถอดปลั๊กไฟออกจากเต้าเสียบ และ/หรือถอดแท่งแบตเตอรี่ออกจากเครื่องมือไฟฟ้า มาตรการป้องกันเพื่อความปลอดภัยนี้ช่วยลดความเสี่ยงจากการติดเครื่องโดยไม่ตั้งใจ

28 | ภาษาไทย

- ▶ เมื่อเลิกใช้งานเครื่องมือไฟฟ้า ให้เก็บเครื่องมือไว้ในที่ที่เด็กหยิบไม่ถึง และไมอนุญาตให้บุคคลที่ไม่คุ้นเคยกับเครื่องมือบุคคลที่ไม่ได้อ่านคำแนะนำนี้ใช้เครื่องมือไฟฟ้าเป็นของอันตรายหากตกอยู่ในมือของผู้ใช้ที่ไม่ได้รับการฝึกฝน
- ▶ เอาใจใส่ดูแลรักษาเครื่อง ตรวจสอบหาส่วนที่เคลื่อนไหวได้ของเครื่องว่าวางอยู่ตรงแนวหรือติดขัดหรือไม่ ตรวจสอบการแตกหักของชิ้นส่วนและสภาพอื่นใดที่อาจมีผลต่อการทำงานของเครื่องมือไฟฟ้า หากชำรุดต้องส่งเครื่องมือไฟฟ้าซ่อมแซมก่อนใช้งาน อุบัติเหตุหลายอย่างเกิดขึ้นเนื่องจากดูแลรักษาเครื่องไม่ดีพอ
- ▶ รักษาเครื่องมือตัดให้คมและสะอาด หากบำรุงรักษาเครื่องมือที่มีขอบตัดแหลมคมอย่างถูกต้อง จะสามารถตัดได้ลื่นไม่ติดขัดและควบคุมได้ง่ายกว่า
- ▶ ใช้เครื่องมือไฟฟ้า อุปกรณ์ประกอบ เครื่องมือ และอุปกรณ์อื่นๆ ให้ตรงตามคำแนะนำนี้ และในลักษณะตามที่เครื่องมือไฟฟ้าประเภทนั้นๆ กำหนดไว้ โดยต้องคำนึงถึงเงื่อนไขการทำงานและงานที่จะทำด้วย การใช้เครื่องมือไฟฟ้าทำงานที่ต่างไปจากวัตถุประสงค์การใช้งานของเครื่อง อาจนำไปสู่สถานการณ์ที่เป็นอันตรายได้

การใช้และการดูแลรักษาเครื่องที่ใช้แบตเตอรี่

- ▶ ชาร์จแบตเตอรี่ด้วยเครื่องชาร์จที่บริษัทผู้ผลิตระบุไว้เท่านั้น เครื่องชาร์จที่เหมาะสมสำหรับชาร์จแบตเตอรี่ประเภทหนึ่ง หากนำไปชาร์จแบตเตอรี่ประเภทอื่น อาจเกิดไฟไหม้ได้
- ▶ ใช้แบตเตอรี่เฉพาะประเภทที่เครื่องมือไฟฟ้ากำหนดให้ใช้ได้ การใช้แบตเตอรี่ประเภทอื่นเสี่ยงต่อการเกิดไฟไหม้หรือบาดเจ็บ
- ▶ เมื่อไม่ใช้แบตเตอรี่ ให้เก็บแบตเตอรี่ไว้ห่างไกลวัตถุอื่น ๆ เช่น ฟิล์มหมึกกระดาษ เหยี่ยว กุญแจ ตะปู สกรู หรือโลหะวัตถุขนาดเล็กอื่นๆ ที่สามารถต่อขั้วหนึ่งไปยังอีกขั้วหนึ่งได้ การลัดวงจรของขั้วแบตเตอรี่อาจทำให้เกิดการไหม้หรือไฟลุกได้
- ▶ เมื่อใช้แบตเตอรี่ผิดวิธี อาจมีของเหลวไหลออกมาจากแบตเตอรี่ได้ ให้หลีกเลี่ยงการสัมผัสของเหลว หากสัมผัสโดยบังเอิญ ให้ใช้น้ำล้าง หากของเหลวเข้าตา ให้ขอความช่วยเหลือจากแพทย์ด้วย ของเหลวที่ไหลออกมาจากแบตเตอรี่อาจทำให้เกิดอาการคันหรือแสบผิวหนังได้

การบริการ

- ▶ ส่งเครื่องมือไฟฟ้าให้ช่างผู้เชี่ยวชาญตรวจสอบและใช้อะไหล่เปลี่ยนของแท้เท่านั้น ในลักษณะนี้ท่านจะแน่ใจได้ว่าเครื่องมือไฟฟ้าอยู่ในสภาพที่ปลอดภัย

คำเตือนเพื่อความปลอดภัยสำหรับเลื่อย
อเนกประสงค์

- ▶ เมื่อทำงานในบริเวณที่อุปกรณ์ตัดอาจสัมผัสกับสายไฟฟ้าที่ซ่อนอยู่ ต้องจับเครื่องมือไฟฟ้าตรงตามจับที่หุ้มฉนวน หากอุปกรณ์ตัดสัมผัสกับสายที่มีกระแสไฟฟ้าไหลผ่านจะทำให้ส่วนที่เป็นโลหะของเครื่องมือไฟฟ้าเกิดมีกระแสไฟฟ้าด้วย และส่งผลให้ผู้ใช้เครื่องถูกไฟฟ้าดูดได้
- ▶ เอามือออกจากบริเวณแนวเลื่อย อย่าเอื้อมมือเข้าได้ชิ้นงาน การสัมผัสกับใบเลื่อยจะทำให้บาดเจ็บได้

- ▶ จับเครื่องเข้าหาชิ้นงานเมื่อเครื่องเปิดทำงานอยู่เท่านั้น มิฉะนั้นอาจได้รับอันตรายจากการตีกลับหากเครื่องมือติดขัดอยู่ในชิ้นงาน
- ▶ ขณะเลื่อย แผ่นฐานปรับได้ 2 ต้องหันหน้าเข้าหาชิ้นงานเสมอ ใบเลื่อยอาจติดขัด และอาจทำให้ขาดการบังคับเครื่องมือได้
- ▶ เมื่อเสร็จงานตัด ให้ปิดสวิทช์เครื่อง และดึงใบเลื่อยออกจากร่องตัดเมื่อใบเลื่อยหยุดนิ่งอยู่กับที่แล้วเท่านั้น ในลักษณะนี้ท่านสามารถหลีกเลี่ยงการตีกลับ และวางเครื่องลงได้อย่างปลอดภัย
- ▶ ใช้เฉพาะใบเลื่อยที่ไม่ชำรุดและไม่มีตำหนิเท่านั้น ใบเลื่อยที่ทื่อหรือมีดงอาจสามารถแตกหัก ส่งผลเชิงลบต่อการตัด หรือทำให้เกิดการตีกลับได้
- ▶ เมื่อปิดสวิทช์เครื่องแล้ว อย่าเบรคใบเลื่อยให้หยุดนิ่งโดยการกดลงด้านข้าง ใบเลื่อยอาจชำรุด แตกหัก หรือทำให้เกิดการตีกลับได้
- ▶ ห้ามวัสดุให้ตี อย่าใช้มือหรือเท้าหนุนชิ้นงานไว้ อย่าให้ใบเลื่อยที่วิ่งอยู่สัมผัสกับพื้นหรือวัตถุ อันตรายจากการตีกลับ
- ▶ ใช้เครื่องตรวจที่เหมาะสมตรวจหาท่อและสายไฟฟ้าที่อาจซ่อนอยู่ในบริเวณที่จะทำงาน หรือขอความช่วยเหลือจากบริษัทช่างท่อและสายไฟฟ้าในท้องถิ่น การสัมผัสกับสาย ไฟฟ้าอาจทำให้เกิดไฟไหม้หรือถูกไฟฟ้าช็อกหรือดูดได้ การ ทำให้ท่อแก๊สเสียหายอาจเกิดระเบิดได้ การเจาะเข้าในท่อ นำให้ทรัพย์สินเสียหาย
- ▶ เมื่อใช้เครื่องทำงาน ต้องใช้มือทั้งสองจับเครื่องให้แน่น และตั้งทำขึ้นที่มั่นคงเสมอ เครื่องมือไฟฟ้าสามารถเคลื่อนมาได้มั่นคงกว่าเมื่อใช้มือทั้งสองข้างจับ
- ▶ ยึดชิ้นงานให้แน่น การยึดชิ้นงานด้วยเครื่องมือหรือแท่นจับจะมั่นคงกว่าการยึดด้วยมือ
- ▶ ก่อนวางเครื่องลงบนพื้นทุกครั้งต้องรอให้เครื่องหยุดนิ่งอยู่กับที่เสมอ มิฉะนั้นเครื่องมือที่ใส่อยู่อาจติดขัดและนำไปสู่การสูญเสียการควบคุมเครื่องมือไฟฟ้า
- ▶ อย่าเปิดแบตเตอรี่ด้วยตนเอง อันตรายจากการลัดวงจร



ปกป้องแบตเตอรี่จากความร้อน ต. ย. เช่น จากแสงแดดจ้าที่ส่องอย่างต่อเนื่อง ฝน น้ำ และความชื้น อันตรายจากการระเบิด

- ▶ ในกรณีที่แบตเตอรี่ชำรุดและใช้แบตเตอรี่อย่างไม่ถูกต้อง อาจมีไอระเหยออกมา ให้สูดอากาศบริสุทธิ์ และหาแพทย์ในกรณีเจ็บปวด ไอระเหยอาจทำให้ระบบหายใจระคายเคือง
- ▶ ใช้แบตเตอรี่เฉพาะกับเครื่องมือไฟฟ้า มอไซค์ ของท่านเท่านั้น การกระทำเช่นนี้เท่านั้นที่จะช่วยปกป้องแบตเตอรี่จากการถูกใช้งานเกินพิกัดซึ่งเป็นอันตราย
- ▶ วัตถุที่แหลมคม ต. ย. เช่น ตะปูหรือไขวกรู หรือแรงกระทำภายนอก อาจทำให้แบตเตอรี่เสียหายได้ ลังเหล่านี้อาจทำให้เกิดการลัดวงจรภายในและแบตเตอรี่ใหม่ มีควัน ระเบิด หรือร้อนเกินไป

รายละเอียดผลิตภัณฑ์และ ข้อมูลจำเพาะ



**ต้องอ่านคำเตือนเพื่อความปลอดภัยและ
คำสั่งทั้งหมด** การไม่ปฏิบัติตามคำเตือนและ
คำสั่งอาจเป็นสาเหตุให้ถูกไฟฟ้าดูด เกิด
ไฟไหม้ และ/หรือได้รับบาดเจ็บอย่างร้ายแรง

ประโยชน์การใช้งานของเครื่อง

เครื่องนี้ใช้สำหรับเลื่อยไม้ พลาสติก โลหะ และวัสดุก่อสร้าง
โดยต้องวางเครื่องอย่างมั่นคงลงบนชิ้นงาน เครื่องนี้เหมาะ
สำหรับการตัดแนวตรงและตัดตามโค้ง เมื่อใช้ใบเลื่อยที่
ทำจากโลหะสองชนิดซ้อนกัน (bimetal) ที่เหมาะสม จะ
สามารถตัดออกได้ราบเสมอฟันผิวชิ้นงาน อ่านและปฏิบัติตาม
ข้อแนะนำเกี่ยวกับใบเลื่อย

ส่วนประกอบผลิตภัณฑ์

ลำดับเลขของส่วนประกอบผลิตภัณฑ์อ้างถึงส่วนประกอบ
ของเครื่องที่แสดงในหน้าภาพประกอบ

- 1 ใบเลื่อย*
- 2 แผ่นฐานปรับได้
- 3 ที่จับใบเลื่อย
- 4 ปกอกสำหรับล้อใบเลื่อย
- 5 ก้านขยับชัก
- 6 สวิตช์ตั้งความเร็วขยับชัก
- 7 สวิตช์เปิด-ปิด
- 8 แป้นปลดล็อกแบตเตอรี่
- 9 แบตเตอรี่แพ็ค*
- 10 ตั้มจับ (พื้นผิวจับหุ้มฉนวน)
- 11 ปุ่มสำหรับไฟแสดงสถานะการชาร์จ*
- 12 ไฟแสดงสถานะการชาร์จแบตเตอรี่*

*อุปกรณ์ประกอบที่แสดงหรือระบุไม่รวมอยู่ในการจัดส่งมาตรฐาน
กรุณาดูอุปกรณ์ประกอบทั้งหมดในรายการแสดงอุปกรณ์ประกอบ
ของเรา

ข้อมูลทางเทคนิค

เลือกประเภทประสงค์	GSA 18 V-LI	
หมายเลขสินค้า	3 601 F4J 0..	
แรงดันไฟฟ้ากำหนด	V=	18
ความเร็วรอบเดินตัวเปล่า n_0		
- เกียร์ 1	รอบ/นาที	0-2400
- เกียร์ 2	รอบ/นาที	0-2700
ตั้มจับเครื่องมือ	SDS	
การควบคุมอัตราขยับชัก	●	
ระยะช่วงชัก	มม.	28
ความสามารถในการเลื่อย สูงสุด		
- ไม้	มม.	250
- โนเหล็กกล้า	มม.	20
- เส้นผ่าศูนย์กลางท่อ	มม.	130
* ขึ้นอยู่กับแบตเตอรี่แพ็คที่ใช้		
** ผลการทำงานน้อยลงที่อุณหภูมิ <math>< 0^{\circ}\text{C}</math>		
กำหนดข้อมูลทางเทคนิคด้วยแบตเตอรี่ที่จัดส่งมา		

เลือกประเภทประสงค์	GSA 18 V-LI	
น้ำหนักตามระเบียบการ-EPTA- Procedure 01:2014	กก.	3.2 - 3.7*
อุณหภูมิแวดล้อมที่อนุญาต		
- เมื่อชาร์จ	$^{\circ}\text{C}$	0...+45
- เมื่อทำงาน** และเมื่อจัดเก็บ	$^{\circ}\text{C}$	-20...+50
แบตเตอรี่ที่แนะนำ	GBA 18 V...	
เครื่องชาร์จที่แนะนำ	AL 18..	
* ขึ้นอยู่กับแบตเตอรี่แพ็คที่ใช้		
** ผลการทำงานน้อยลงที่อุณหภูมิ <math>< 0^{\circ}\text{C}</math>		
กำหนดข้อมูลทางเทคนิคด้วยแบตเตอรี่ที่จัดส่งมา		

การประกอบ

การชาร์จแบตเตอรี่

- ▶ **ใช้เฉพาะเครื่องชาร์จแบตเตอรี่ที่ระบุไว้ใน ข้อมูลทาง
เทคนิค เท่านั้น** เฉพาะเครื่องชาร์จแบตเตอรี่เหล่านี้
เท่านั้นที่เข้าชุดกับแบตเตอรี่ลิเทียม ไอออน ของเครื่องมือ
ไฟฟ้าของท่าน

หมายเหตุ: แบตเตอรี่ที่จัดส่งได้รับการชาร์จไฟไว้บ้างแล้วเพื่อ
ให้แบตเตอรี่ทำงานได้เต็มประสิทธิภาพ ต้องชาร์จ
แบตเตอรี่ในเครื่องชาร์จแบตเตอรี่ให้เต็มก่อนใช้งานเครื่องมือ
ไฟฟ้าของท่านเป็นครั้งแรก

แบตเตอรี่ลิเทียม ไอออน สามารถชาร์จได้ตลอดเวลาโดยอายุ
การใช้งานจะไม่ลดลง การชาร์จหวัะกระบวนกรชาร์จไม่
ทำให้แบตเตอรี่เสียหาย

"Electronic Cell Protection (ECP)" ป้องกันไม่ให้แบตเตอรี่
Li-ion จ่ายกระแสไฟฟ้ออกกลัก เมื่อแบตเตอรี่หมดไฟ วงจร
ป้องกันจะดับสวิตช์เครื่อง เครื่องมือที่ใส่อยู่จะไม่หมุนต่อ

- ▶ **หลังจากเครื่องดับสวิตช์โดยอัตโนมัติ อยากรดสวิตช์
เปิด-ปิดต่อ** แบตเตอรี่อาจเสียหายได้

อ่านและปฏิบัติตามข้อสั่งการสำหรับการกำจัดขยะ

การถอดแบตเตอรี่

แบตเตอรี่ 9 มีสองระดับการล็อกซึ่งจะป้องกันแบตเตอรี่
ไม่ให้หล่นออกมาเมื่อแป้นปลดล็อกแบตเตอรี่ 8 ถูกกดโดยไม่
ตั้งใจ เมื่อแบตเตอรี่ถูกบรรจุอยู่ในเครื่องมือไฟฟ้า สปริง
จะยึดแบตเตอรี่ให้เข้าตำแหน่ง

เมื่อต้องการถอดแบตเตอรี่ 9 ให้กดแป้นปลดล็อกแบตเตอรี่ 8
และดึงแบตเตอรี่ออกจากเครื่องมือไฟฟ้าทางด้านซ้าย
อย่าใช้แรงดึง

การแสดงสถานะการชาร์จแบตเตอรี่ (ดูภาพประกอบ A)

ไฟสัญญาณ LED สีเขียวสามดวงที่เป็นไฟแสดงสถานะ
การชาร์จแบตเตอรี่ 12 บ่งบอกถึงสถานะการชาร์จของ
แบตเตอรี่ 9 เพื่อความปลอดภัย สถานภาพของสถานะ
การชาร์จสามารถตรวจสอบได้เมื่อเครื่องหยุดนิ่งอยู่กับที่
เท่านั้น

กดปุ่ม 11 เพื่อแสดงสถานะการชาร์จ สามารถแสดงสถานะ
การชาร์จเมื่อแบตเตอรี่ 9 ถูกถอดออกไปแล้วด้วยเช่นกัน

30 | ภาษาไทย

LED	ความจุ
ช่องสว่างต่อเนื่อง 3 x สีเขียว	≥ 2/3
ช่องสว่างต่อเนื่อง 2 x สีเขียว	≥ 1/3
ช่องสว่างต่อเนื่อง 1 x สีเขียว	< 1/3
ไฟกะพริบ 1 x สีเขียว	สำรอง

เมื่อกดปุ่ม **11** แล้วไฟสัญญาณ LED ไม่ติดขึ้น แสดงว่าแบตเตอรี่ชาร์ตและต้องเปลี่ยนใหม่

การเปลี่ยน/การใส่ใบเลื่อย

- ▶ ก่อนปรับแต่งเครื่องมือไฟฟ้า ต้องถอดแบตเตอรี่ออก
- ▶ เมื่อประกอบใบเลื่อยเข้า ต้องสวมถุงมือป้องกัน เมื่อสัมผัสใบเลื่อยอาจได้รับอันตรายบาดเจ็บ
- ▶ เมื่อเปลี่ยนใบเลื่อย ระวังอย่าให้มีเศษวัสดุติดอยู่ที่จับใบเลื่อย ต. ย. เช่น สีเขียวไม้หรือโลหะ

การเลือกใบเลื่อย

ใช้เฉพาะใบเลื่อยที่เหมาะสมกับประเภทวัสดุที่จะเลื่อยเท่านั้น การอธิบายโดยสรุปเกี่ยวกับใบเลื่อยที่แนะนำให้ใช้ กรุณาดูจากตอนต้นของหนังสือคู่มือการใช้งาน ให้ใช้เฉพาะใบเลื่อยที่มีก้านสากล ๗ 1/2" เท่านั้น ใบเลื่อยต้องไม่ยาวเกินความหนาที่ถือการตัดมากนัก

ใช้ใบเลื่อยบางสำหรับการตัดโค้งแคบ

การใส่ใบเลื่อย (รูปภาพประกอบ B)

กดใบเลื่อย 1 อย่างมั่นคงเข้าในที่จับใบเลื่อย 3 จนได้ยินเสียงชนเข้าอย่างชัดเจน ลักษณะนี้ทำให้ปลอกล็อก 4 หมุนไปประมาณ 90° และล็อกใบเลื่อยหากใบเลื่อย 1 ไม่ถูกล็อก ให้หมุนปลอกล็อก 4 ประมาณ 90° ไปในทิศลูกศรจนปลอกถูกตรึงอยู่ในตำแหน่งเปิดและได้ยินเสียง "คลิก" จากนั้นให้กดใบเลื่อย 1 เข้าในที่จับใบเลื่อย 3 อีกครั้ง

- ▶ ตรวจสอบให้ใบเลื่อยเข้าที่อย่างมั่นคง ใบเลื่อยที่ใส่ไว้หลวมๆ อาจหลุดออกมาและทำให้บาดเจ็บได้

สำหรับงานบางประเภท ใบเลื่อย 1 สามารถหมุนกลับด้านไป 180° ได้ด้วย (พินหันขึ้นด้านบน) และใส่ใบเลื่อยกลับเข้าไปอีกครั้ง

การตัดใบเลื่อยออก (รูปภาพประกอบ C)

- ▶ เมื่อต้องการตัดใบเลื่อยออก ให้จับเครื่องมือในลักษณะที่เมื่อใบเลื่อยตัดออกมาจะไม่ทำอันตรายและสัตว์บาดเจ็บได้

หมุนปลอกล็อก 4 ประมาณ 90° ไปในทิศลูกศร ใบเลื่อย 1 จะตัดออกมา

การดูแลผู้/ชีเลื่อย

- ▶ ผู้ที่ได้จากวัสดุ เช่น เคลือบผิวที่มีสารตะกั่ว ไม้ยางประเภทเรซาดู และโลหะ อาจเป็นอันตรายต่อสุขภาพ การสัมผัสหรือการหายใจเอาฝุ่นเข้าไปอาจทำให้เกิดปฏิกิริยาแพ้ฝุ่นและ/หรือนำมาซึ่งโรคติดเชื้อระบบหายใจแก่ผู้ใช้เครื่องหรือผู้ที่ยืนอยู่ใกล้เคียง
- ▶ ผู้บางประเภท เช่น ฝุ่นไม้โอ๊ก หรือไม้บีช นับเป็นสารที่ทำให้เกิดมะเร็ง โดยเฉพาะอย่างยิ่งเมื่อผสมกับสารเติมแต่งเพื่อบำบัดไม้ (โครเมต ผลิตภัณฑ์รักษาเนื้อไม้) สำหรับวัสดุที่มีแอลเบสทอสต้องให้ผู้เชี่ยวชาญทำงานเท่านั้น

- จัดสถานที่ทำงานให้มีการระบายอากาศที่ดี
- ขอแนะนำให้สวมหน้ากากป้องกันการติดเชื้อที่มีระดับ-ใส่กรอง P2

ปฏิบัติตามกฎข้อบังคับสำคัญอื่นๆ ที่เกี่ยวกับวัสดุชิ้นงานที่บังคับใช้ในประเทศของท่าน

- ▶ ป้องกันการสะสมของฝุ่นในสถานที่ทำงาน ฝุ่นสามารถถูกใหม่อย่างง่ายดาย

การปฏิบัติงาน

เริ่มต้นปฏิบัติงาน

การใส่แบตเตอรี่

- ▶ ใช้เฉพาะแบตเตอรี่ลิเธียม ไอออน ของแท้ของ บอช ที่มีแรงดันไฟฟ้าตามที่ระบุไว้บนแผ่นป้ายติดของเครื่องมือไฟฟ้าของท่านเท่านั้น การใช้แบตเตอรี่ประเภทอื่นอาจทำให้ได้รับบาดเจ็บและเสี่ยงต่อการเกิดไฟไหม้

สวิตช์ตั้งความเร็วขยับซีก 6 ไว้ที่ตำแหน่งกลางเพื่อป้องกันไม่ให้เครื่องมือไฟฟ้าติดขึ้นโดยไม่ตั้งใจ ใส่แบตเตอรี่ 9 ที่ชาร์ตแล้วจากด้านหน้าเข้าไปตามจับของเครื่องมือไฟฟ้า ดันแบตเตอรี่เข้าไปตามจับจนมองไม่เห็นแถบสีแดงอีก และแบตเตอรี่ถูกล็อกอย่างมั่นคง

การเปลี่ยนความเร็วขยับซีก

ความเร็วขยับซีกของเครื่องมือไฟฟ้าสามารถเปลี่ยนได้ด้วยสวิตช์ตั้งความเร็วขยับซีก 6 แต่ไม่สามารถทำได้หากสวิตช์เปิด-ปิด 7 ถูกกดอยู่

สวิตช์ตั้งความเร็วขยับซีก 6 - ตำแหน่งกลาง:

ล็อกนิรภัยถูกระงับให้ทำงาน



สวิตช์เปิด-ปิด 7 ถูกบล็อกและเครื่องถูกล็อกกันไม่ให้ติดขึ้นโดยไม่ตั้งใจ

สวิตช์ตั้งความเร็วขยับซีก 6 - ซ้าย:

เกียร์ 1 ความเร็วขยับซีกต่ำ



ความเร็วขยับซีกต่ำเหมาะสำหรับการเลื่อยวัสดุเนื้อแข็ง เช่น เหล็กกล้า โลหะที่ไม่มีเหล็กปน พลาสติกแข็ง หรือการตัดอย่างเที่ยงตรงในไม้ และการจ้วงตัด ความเร็วขยับซีกต่ำทำให้ขณะเลื่อยมีการสั่นตัวน้อย

สวิตช์ตั้งความเร็วขยับซีก 6 - ขวา:

เกียร์ 2 ความเร็วขยับซีกสูง



ความเร็วขยับซีกสูงเหมาะสำหรับการเลื่อยวัสดุเนื้ออ่อน ความเร็วขยับซีกสูงทำให้สามารถทำงานได้รวดเร็วกว่า ต. ย. เช่น สำหรับการตัดหยาบในไม้

การเปิด-ปิดเครื่อง

เปิดสวิตช์ เครื่องมือไฟฟ้าโดยกดสวิตช์เปิด-ปิด 7 และกดค้างไว้

ปิดสวิตช์ เครื่องมือไฟฟ้าโดยปล่อยนิ้วจากสวิตช์เปิด-ปิด 7

การควบคุมอัตราเร็วขั้ว

ท่านสามารถควบคุมอัตราเร็วขั้วของเครื่องที่เปิดสวิตช์ไว้ได้อย่างต่อเนื่อง โดยเพิ่มหรือลดแรงกดบนสวิตช์เปิด-ปิด 7 เกณฑ์จังหวะขั้วที่ต่อใช้ขึ้นอยู่กับประเภทวัสดุชิ้นงาน และเงื่อนไขการทำงาน การทดลองภาคปฏิบัติจะช่วยให้ได้เกณฑ์จังหวะที่ดีที่สุด

ขอแนะนำให้ลดอัตราเร็วขั้วลงขณะใบเลื่อยขบเข้าในวัสดุชิ้นงาน และเมื่อเลื่อยพลาสติกและอะลูมิเนียม

ข้อแนะนำในการทำงาน

- ▶ **ก่อนปรับแต่งเครื่อง** (ต.ย. เช่น เมื่อบำรุงรักษา เปลี่ยนเครื่องมือ และอื่นๆ) และขณะขนย้ายและเก็บเครื่องเข้าที่ ให้ถอดแบตเตอรี่ออกจากเครื่องมือไฟฟ้า อันตรายจากการบาดเจ็บหากสวิตช์เปิด-ปิดติดขึ้นอย่างไม่ตั้งใจ

แผ่นฐานปรับหมุนได้ (ดูภาพประกอบ D)

แผ่นฐาน 2 สามารถเคลื่อนไหวไปมา จึงปรับให้เข้ากับตำแหน่งมุมที่ต้องการบนพื้นผิวชิ้นงานได้

คำแนะนำ

- ▶ **เมื่อเลื่อยวัสดุก่อสร้างน้ำหนักเบา ต้องปฏิบัติตามข้อกำหนดทางกฎหมายและข้อแนะนำของบริษัทผลิตวัสดุก่อสร้าง**

ตรวจดูไม้ ไม้อัด วัสดุก่อสร้าง และอื่นๆ เพื่อหาสิ่งแปลกปลอม เช่น ตะปู สกรู หรือสิ่งคล้ายคลึง และหากจำเป็นให้ถอนสิ่งแปลกปลอมนั้นออกไป

เปิดสวิตช์เครื่องและเคลื่อนเครื่องเข้าหาชิ้นงาน วางแผ่นฐาน 2 ทาบลงบนผิวหน้าชิ้นงาน และเลื่อยวัสดุออกโดยใช้แรงกดสัมพันธ์และการบดที่สม่ำเสมอ เมื่อกระบวนการทำงานสิ้นสุด ให้ปิดสวิตช์เครื่อง

หากใบเลื่อยติดขัด ให้ปิดสวิตช์เครื่องทันที ถ่างร่องตัดเล็กน้อยด้วยเครื่องมือที่เหมาะสม และตั้งเครื่องออก

การจ้วงตัด (ดูภาพประกอบ E)

- ▶ **กระบวนการจ้วงตัดเหมาะสำหรับนำมาใช้กับวัสดุเนื้ออ่อน เช่น ไม้ แผ่นกระดาษปิดฝ้าผนัง (plaster board) หรือวัสดุคล้ายคลึงเท่านั้น! อย่าเลื่อยวัสดุที่เป็นโลหะด้วยกระบวนการจ้วงตัด!**

สำหรับการจ้วงตัด ให้ใช้เฉพาะใบเลื่อยสั้นเท่านั้น

วางเครื่องโดยให้ขอบแผ่นฐาน 2 แตะลงบนชิ้นงานและเปิดสวิตช์เครื่อง สำหรับเครื่องมือไฟฟ้าที่มีการควบคุมความเร็วขั้ว ให้ตั้งความเร็วขั้วสูงสุด กดเครื่องมือไฟฟ้าเข้าหาชิ้นงานอย่างมั่นคง และให้ใบเลื่อยจ้วงเข้าไปในชิ้นงานอย่างช้าๆ ในทันทีที่แผ่นฐาน 2 วางทาบเต็มบนพื้นผิวชิ้นงาน ให้เลื่อยต่อไปตามรอยตัดที่ต้องการ

สำหรับงานบางประเภท ใบเลื่อย 1 สามารถใส่หมุนกลับด้านไป 180 ° ได้ด้วย และเลื่อยเนกประสงค์สามารถเคลื่อนนำไปในลักษณะกลับทางตามไปด้วย

การตัดเรียบเสมอกัน (ดูภาพประกอบ F)

เมื่อใช้ใบเลื่อยที่ทำจากโลหะสองชนิดซ้อนกัน (bimetal) ที่ยืดหยุ่น สิ่งของที่ยังคงติดอยู่กับฝ้าผนัง (ต.ย. เช่น ชิ้นส่วนก่อสร้างที่ยื่นออกมา เช่น ท่อน้ำ) สามารถเลื่อยออกได้เรียบเสมอกับฝ้าผนัง

- ▶ **เอาใจใส่ให้ใบเลื่อยยื่นพ้นความหนาชิ้นงานที่จะเลื่อยเสมออันตรายจากการตักล้ม**

วางใบเลื่อยแนบกับฝ้าผนังโดยตรง และตัดใบเลื่อยให้โค้งเล็กน้อยโดยใช้แรงกดที่ด้านข้างของเครื่องจนแผ่นฐานชิดกับฝ้าผนัง เปิดสวิตช์เครื่องมือไฟฟ้าและเลื่อยผ่านชิ้นงานโดยใช้แรงกดลงด้านข้างอย่างสม่ำเสมอ

สารหล่อเย็น/น้ำมันหล่อลื่น

เมื่อเลื่อยโลหะ ให้ชโลมสารหล่อเย็น/น้ำมันหล่อลื่นตามรอยตัดเนื่องจากวัสดุร้อนขึ้น

ข้อแนะนำในการปฏิบัติต่อแบตเตอรี่อย่างเหมาะสมที่สุด

ปกป้องแบตเตอรี่จากความชื้นและน้ำ

เก็บแบตเตอรี่ไว้ในที่เสียดอุณหภูมิระหว่าง -20 °C และ 50 °C เท่านั้น ตัวอย่าง เช่น ต้องไม่ทิ้งแบตเตอรี่ไว้ในรถยนต์ในฤดูร้อน

ทำความสะอาดช่องระบายอากาศเป็นครั้งคราวโดยใช้แปรงขนอ่อนที่แห้งและสะอาด

หลังจากชาร์จแบตเตอรี่แล้ว หากแบตเตอรี่มีช่วงเวลาทำงานสั้นมาก แสดงว่าแบตเตอรี่เสื่อมและต้องเปลี่ยนใหม่ อ่านและปฏิบัติตามข้อสังเกตสำหรับการกำจัดขยะ

การบำรุงรักษาและการบริการ**การบำรุงรักษาและการทำความสะอาด**

- ▶ **ก่อนปรับแต่งเครื่อง** (ต.ย. เช่น เมื่อบำรุงรักษา เปลี่ยนเครื่องมือ และอื่นๆ) และขณะขนย้ายและเก็บเครื่องเข้าที่ ให้ถอดแบตเตอรี่ออกจากเครื่องมือไฟฟ้า อันตรายจากการบาดเจ็บหากสวิตช์เปิด-ปิดติดขึ้นอย่างไม่ตั้งใจ

- ▶ **เพื่อให้ทำงานได้อย่างถูกต้องและปลอดภัย ต้องรักษาเครื่องและช่องระบายอากาศให้สะอาดอยู่เสมอ**

ทำความสะอาดที่จับใบเลื่อยในเบื้องต้นด้วยอากาศอัดหรือใช้แปรงขนอ่อนปิด สำหรับการทำความสะอาด ให้ถอดใบเลื่อยออกจากตัวเครื่อง เพื่อให้ที่จับใบเลื่อยทำงานอย่างถูกต้อง ให้ชโลมด้วยน้ำมันหล่อลื่นที่เหมาะสม

หากเครื่องสกปรกมาก เครื่องอาจทำงานผิดปกติ ดังนั้นอย่าเลื่อยวัสดุที่ให้ฝุ่นมากจากทางด้านล่างหรือเลื่อยเหนือศีรษะ

การบริการหลังการขายและคำแนะนำการใช้งาน

ศูนย์บริการหลังการขายของเรายินดีตอบคำถามเกี่ยวกับการบำรุงรักษาและการซ่อมแซมผลิตภัณฑ์ของท่าน รวมทั้งชิ้นส่วนอะไหล่ ภาพแยกชิ้นประกอบและข้อมูลเกี่ยวกับชิ้นส่วนอะไหล่ยังสามารถดูได้ใน:

www.bosch-pt.com

ทีมงานให้คำแนะนำการใช้งานของ บ็อบช ยินดีตอบคำถามเกี่ยวกับผลิตภัณฑ์ของเราและอุปกรณ์ประกอบของผลิตภัณฑ์

32 | Bahasa Indonesia

เมื่อต้องการสอบถามและสั่งซื้ออะไหล่ กรุณาแจ้งหมายเลข
สินค้าหลักกับบนแผ่นป้ายรุ่นของเครื่องทุกครั้ง
ในกรณีประกัน ซ่อมแซม หรือซื้อชิ้นส่วนมาเปลี่ยน
กรุณาติดต่อ ผู้ขายที่ได้รับแต่งตั้งเท่านั้น

ไทย


บริษัท โรเบิร์ต บ็อส จำกัด
ชั้น 11 ตึกลิเบอร์ตี สแควร์
287 ถนนสีลม บางรัก
กรุงเทพฯ 10500
โทรศัพท์ 02 6393111, 02 6393118
โทรสาร 02 2384783
บริษัท โรเบิร์ต บ็อส จำกัด ตู้ ปณ. 2054
กรุงเทพฯ 10501 ประเทศไทย
www.bosch.co.th

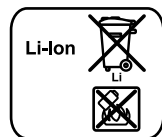
ศูนย์บริการซ่อมและฝึกอบรม บ็อส
อาคาร ลาซาลทาวเวอร์ ชั้น G ห้องเลขที่ 2
บ้านเลขที่ 10/11 หมู่ 16
ถนนศรีนครินทร์
ตำบลบางแก้ว อำเภอบางพลี
จังหวัดสมุทรปราการ 10540
ประเทศไทย
โทรศัพท์ 02 7587555
โทรสาร 02 7587525

การขนส่ง

แบตเตอรี่ลิเธียม ไอออน ที่บรรจุอยู่ภายใต้ข้อกำหนดแห่ง
กฎหมายสินค้าอันตราย ผู้ใช้สามารถขนส่งแบตเตอรี่โดยทาง
ถนนโดยไม่มีข้อบังคับอื่น
หากขนส่งโดยบุคคลที่สาม (เช่น: การขนส่งทางอากาศ หรือ
ตัวแทนขนส่งสินค้า) ต้องปฏิบัติตามข้อกำหนดพิเศษเกี่ยวกับการ
การบรรจุภัณฑ์และการติดฉลาก ในการจัดเตรียมสิ่งของที่จะ
จัดส่ง ต้องปรึกษาผู้เชี่ยวชาญสำหรับวัตถุอันตราย
ส่งแบตเตอรี่เมื่อตัวหุ้มไม่ชำรุดเสียหายเท่านั้น ใช้แถบกาวยัน
ปิดหน้าสัมผัสที่เปิดอยู่ และนำแบตเตอรี่ใส่กล่องบรรจุโดย
ไม่ให้เคลื่อนไปมาในกล่องได้นอกจากนี้กรุณาปฏิบัติตามกฎ
ระเบียบของประเทศซึ่งอาจมีรายละเอียดเพิ่มเติม

การกำจัดขยะ

 เครื่อง แบตเตอรี่ที่นำกลับมาชาร์จใหม่ได้ อุปกรณ์
ประกอบ และหีบห่อ ต้องนำไปแยกประเภทวัสดุ
เพื่อนำกลับมาใช้ใหม่โดยไม่ทำลายสภาพแวดล้อม
อย่าทิ้งเครื่องมือไฟฟ้าและแบตเตอรี่/แบตเตอรี่ที่นำกลับมา
ชาร์จใหม่ได้ ลงในขยะบ้าน!

แบตเตอรี่แพ็ค/แบตเตอรี่:**Li-ion:**

กรุณาปฏิบัติตามคำสั่งในบท
"การขนส่ง" หน้า 32

ขอสงวนสิทธิ์ในการเปลี่ยนแปลงโดยไม่ต้องแจ้งล่วงหน้า

Bahasa Indonesia**Petunjuk-Petunjuk untuk
Keselamatan Kerja****Petunjuk-Petunjuk Umum untuk Perkakas Listrik**

⚠ PERHATIKANLAH Bacalah semua petunjuk-
petunjuk untuk keselamatan
kerja dan petunjuk-petunjuk untuk penggunaan.

Kesalahan dalam menjalankan petunjuk-petunjuk untuk
keselamatan kerja dan petunjuk-petunjuk untuk penggunaan
dapat mengakibatkan kontak listrik, kebakaran dan/atau luka-
luka yang berat.

**Simpanlah semua petunjuk-petunjuk untuk keselamatan
kerja dan petunjuk-petunjuk lainnya untuk penggunaan di
masa depan.**

Kata „perkakas listrik“ yang disebutkan di dalam petunjuk-
petunjuk untuk keselamatan kerja adalah sebutan untuk
perkakas listrik pakai listrik jaringan (dengan kabel) dan
untuk perkakas listrik tenaga baterai (tanpa kabel listrik).

Keselamatan kerja di tempat kerja

- ▶ **Jagalah supaya tempat kerja selalu bersih dan terang.**
Tempat kerja yang tidak rapi atau tidak terang dapat
mengakibatkan terjadinya kecelakaan.
- ▶ **Janganlah menggunakan perkakas listrik di tempat di
mana dapat terjadi ledakan, di mana ada cairan, gas
atau debu yang mudah terbakar.** Perkakas listrik dapat
memancarkan bunga api yang lalu mengakibatkan debu
atau uap terbakar.
- ▶ **Selama menggunakan perkakas listrik, jauhkan anak-
anak dan orang-orang lain dari tempat kerja.** Jika
konsentrasi terganggu, bisa jadi Anda tidak bisa mengen-
dalikan perkakas listrik tersebut.

Keamanan listrik

- ▶ **Steker dari perkakas listrik harus cocok pada
stopkontak. Janganlah sekali-kali merubah steker.**
Janganlah menggunakan steker perantara bersama
dengan perkakas listrik yang mempunyai hubungan
arde. Steker yang tidak dirubah dan stopkontak yang
cocok mengurangi bahaya terjadinya kontak listrik.
- ▶ **Jagalah supaya badan Anda tidak bersentuhan dengan
permukaan yang mempunyai hubungan arde, misalnya
pipa-pipa, radiator pemanas ruangan, kompor listrik
dan lemari es.** Ada risiko besar terjadi kontak listrik, jika
badan Anda mempunyai hubungan arde.
- ▶ **Jagalah supaya perkakas listrik tidak kena hujan atau
menjadi basah.** Air yang masuk ke dalam perkakas listrik
menambah risiko terjadinya kontak listrik.
- ▶ **Janganlah menyalah gunakan kabel listrik untuk
mengangkat dan menggantungkan perkakas listrik
atau untuk menarik steker dari stopkontak. Jagalah
supaya kabel listrik tidak kena panas, minyak,
pinggiran yang tajam atau bagian-bagian perkakas
yang bergerak.** Kabel listrik yang rusak atau tersangkut
menambah risiko terjadinya kontak listrik.

- ▶ **Jika Anda menggunakan perkakas listrik di luar gedung, gunakanlah hanya kabel sambungan yang juga cocok untuk pemakaian di luar gedung.** Penggunaan kabel sambungan yang cocok untuk pemakaian di luar gedung mengurangi risiko terjadinya kontak listrik.
- ▶ **Jika penggunaan perkakas listrik di tempat yang basah tidak bisa dihindarkan, gunakanlah sakelar pengaman terhadap arus penyimpangan.** Penggunaan sakelar pengaman terhadap arus penyimpangan mengurangi risiko terjadinya kontak listrik.

Keselamatan kerja

- ▶ **Berhati-hatilah selalu, perhatikanlah apa yang Anda kerjakan dan bekerjalah dengan seksama jika menggunakan perkakas listrik. Janganlah menggunakan perkakas listrik, jika Anda capai atau berada di bawah pengaruh narkoba, minuman keras atau obat.** Jika Anda sekejap mata saja tidak berhati-hati sewaktu menggunakan perkakas listrik, dapat terjadi luka-luka berat.
- ▶ **Pakailah pakaian dan sarana pelindung dan pakailah selalu kaca mata pelindung.** Dengan memakai pakaian dan sarana pelindung, misalnya kedok anti debu (masker), sepatu tertutup yang tidak licin, helm pelindung atau pemalut telinga sesuai dengan pekerjaan yang dilakukan dengan perkakas listrik, bahaya terjadinya luka-luka dapat dikurangi.
- ▶ **Jagalah supaya perkakas listrik tidak dihidupkan secara tidak disengaja. Perhatikan bahwa perkakas listrik dalam penyetelan mati, jika steker disambungkan pada pengadaan listrik dan/atau baterai, jika perkakas listrik diangkat atau dibawa.** Jika selama mengangkat perkakas listrik jari Anda berada pada tombol untuk menghidupkan dan mematikan atau perkakas listrik yang dalam penyetelan hidup disambungkan pada listrik, dapat terjadi kecelakaan.
- ▶ **Lepaskan semua perkakas-perkakas penyetelan atau kunci-kunci pas sebelum perkakas listrik dihidupkan.** Perkakas atau kunci yang berada di dalam bagian yang berputar dapat mengakibatkan terjadinya luka-luka.
- ▶ **Aturkan badan sedemikian sehingga Anda bisa bekerja dengan aman. Berdirilah secara mantap dan jagalah selalu keseimbangan.** Dengan demikian Anda bisa mengendalikan perkakas listrik dengan lebih baik, jika terjadi sesuatu dengan tiba-tiba.
- ▶ **Pakailah pakaian yang cocok. Janganlah memakai pakaian yang longgar atau perhiasan. Jagalah supaya rambut, pakaian dan sarung tangan tidak masuk dalam bagian-bagian perkakas yang bergerak.** Pakaian yang longgar, rambut panjang atau perhiasan dapat tersangkut dalam bagian perkakas yang bergerak.
- ▶ **Jika ada kemungkinan untuk memasang sarana penghisapan dan penampungan debu, perhatikan bahwa sarana-sarana ini telah dipasang dan digunakan dengan betul.** Penggunaan sarana penghisapan bisa mengurangi bahaya yang disebabkan debu.

Penggunaan dan penanganan perkakas listrik dengan seksama

- ▶ **Janganlah membebankan perkakas listrik terlalu berat. Gunakan selalu perkakas listrik yang cocok untuk pekerjaan yang dilakukan.** Dengan perkakas listrik yang cocok Anda bekerja lebih baik dan lebih aman dalam batas-batas kemampuan yang ditentukan.
- ▶ **Janganlah menggunakan perkakas listrik yang tombolnya rusak.** Perkakas listrik yang tidak bisa dihidupkan atau dimatikan, berbahaya dan harus direparasikan.
- ▶ **Tariklah steker dari stopkontak dan/atau keluarkan baterai, sebelum Anda melakukan penyetelan pada perkakas listrik, mengganti alat-alat kerja atau sebelum menyimpan perkakas listrik.** Tindakan keselamatan kerja ini mengurangi bahaya perkakas listrik hidup secara tidak disengaja.
- ▶ **Simpanlah perkakas listrik yang tidak digunakan di luar jangkauan anak-anak. Janganlah mengizinkan orang-orang yang tidak mengenal perkakas listrik ini atau yang belum membaca petunjuk-petunjuk ini, menggunakan perkakas listrik ini.** Perkakas listrik bisa menjadi berbahaya, jika digunakan oleh orang-orang yang tidak mengenalnya.
- ▶ **Rawatlah perkakas listrik dengan seksama. Periksa, apakah bagian-bagian perkakas listrik yang bergerak berfungsi dengan baik dan tidak tersangkut, apakah ada bagian-bagian yang patah atau rusak sedemikian, sehingga dapat mempengaruhi jalannya perkakas listrik. Biarkan bagian-bagian perkakas yang rusak direparasikan, sebelum Anda mulai menggunakan perkakas listrik.** Banyak kecelakaan terjadi karena perkakas listrik tidak dirawat dengan seksama.
- ▶ **Perhatikan supaya alat-alat pemotong selalu tajam dan bersih.** Alat-alat pemotong dengan mata-mata pemotong yang tajam dan dirawat dengan seksama tidak mudah tersangkut dan lebih mudah dikendalikan.
- ▶ **Gunakanlah semua perkakas listrik, aksesori, alat-alat kerja dsb. sesuai dengan petunjuk-petunjuk. Perhatikan syarat-syarat kerja dan macam pekerjaan yang dilakukan.** Penggunaan perkakas listrik untuk macam pekerjaan yang tidak cocok dengan kegunaannya bisa mengakibatkan keadaan yang berbahaya.

Penanganan dan penggunaan perkakas-perkakas pakai baterai dengan seksama

- ▶ **Isikan baterai hanya dalam alat-alat pencas baterai yang dianjurkan oleh pabrik.** Jika suatu alat pencas baterai yang cocok untuk mengisi satu macam baterai tertentu, digunakan untuk mengisi baterai-baterai lainnya, ada bahaya terjadinya kebakaran.
- ▶ **Gunakanlah hanya baterai-baterai yang cocok dan khusus untuk masing-masing perkakas listrik.** Penggunaan baterai-baterai lain dapat mengakibatkan terjadinya luka-luka dan kebakaran.
- ▶ **Jika baterai tidak digunakan, jauhkan baterai dari klip untuk kertas, uang logam, kunci, paku, sekrap atau**

34 | Bahasa Indonesia

benda-benda kecil dari logam lainnya, yang dapat menjembatani kontak-kontak. Korsleting antara kontak-kontak baterai dapat mengakibatkan kebakaran atau api.

- ▶ **Jika baterai tidak digunakan dengan betul, dapat keluar cairan dari baterai. Jagalah supaya Anda tidak terkena pada cairan ini. Jika secara tidak disengaja Anda terkena pada cairan ini, cucikan dengan air. Jika cairan tersebut terkena pada mata, selain tindakan di atas, segera hubungi seorang dokter.** Cairan yang keluar dari baterai dapat mengakibatkan gangguan pada kulit atau kebakaran.

Servis

- ▶ **Biarkan perkakas listrik Anda direparasikan hanya oleh orang-orang ahli yang berpengalaman dan hanya dengan menggunakan suku cadang yang asli.** Dengan demikian terjamin keselamatan kerja dengan perkakas listrik ini secara berkesinambungan.

Petunjuk-petunjuk untuk keselamatan kerja dengan mesin gergaji todak

- ▶ **Peganglah perkakas listrik hanya pada pegangan yang terisolir, jika Anda melakukan pekerjaan di mana alat kerjanya bisa terkena pada saluran listrik yang tidak terlihat.** Sentuhan pada kabel yang bertegangan dapat mengakibatkan bagian-bagian logam dari perkakas listrik juga bertegangan dan lalu mengakibatkan kontak listrik.
- ▶ **Jauhkan tangan-tangan Anda dari tempat penggergajian. Janganlah menjangkau di bawah benda yang dikerjakan.** Persentuhan dengan mata gergaji bisa mengakibatkan luka-luka.
- ▶ **Hidupkan dahulu perkakas listrik, baru kemudian perkakas listrik didekatkan pada benda yang dikerjakan.** Jika tidak demikian ada bahaya perkakas listrik membanting jika alat kerja tersangkut dalam benda yang dikerjakan.
- ▶ **Pada waktu bekerja dengan perkakas listrik, perhatikanlah supaya seluruh pelat dasar 2 selalu berada pada benda yang dikerjakan.** Mata gergaji bisa tersangkut dan mengakibatkan perkakas listrik tidak bisa dikendalikan.
- ▶ **Setelah pekerjaan menggergaji rampung, matikan perkakas listrik dan tunggulah sampai mata gergaji berhenti bergerak, baru setelah itu mata gergaji dikeluarkan dari jalur pemotongan.** Dengan demikian bisa dihindarkan terjadinya bantingan dan perkakas listrik bisa diletakkan dengan aman.
- ▶ **Gunakanlah hanya mata gergaji-mata gergaji yang tidak rusak dan mulus.** Mata gergaji-mata gergaji yang melengkung atau tidak tajam bisa patah, membuat pemotongan tidak bagus atau mengakibatkan bantingan.
- ▶ **Setelah perkakas listrik dimatikan, janganlah meremkan mata gergaji dengan cara menekan pada sisinya.** Ini bisa mengakibatkan mata gergaji menjadi rusak, patah atau bisa mengakibatkan bantingan.
- ▶ **Tahankan benda yang dikerjakan dengan teguh. Janganlah menahan benda yang dikerjakan dengan cara menyandarkan pada tangan atau kaki. Janganlah**

menyentuhkan gergaji yang sedang berjalan pada barang-barang atau lantai. Perkakas listrik bisa membanting.

- ▶ **Gunakanlah alat detektor logam yang cocok untuk mencari kabel dan pipa pengadaan yang tidak terlihat, atau hubungi perusahaan pengadaan setempat.** Sentuhan dengan kabel-kabel listrik bisa mengakibatkan api dan kontak listrik. Pipa gas yang dirusak bisa mengakibatkan ledakan. Pipa air yang dirusak mengakibatkan barang-barang menjadi rusak.
- ▶ **Selama digunakan, peganglah perkakas listrik dengan kedua belah tangan dan perhatikanlah supaya Anda berdiri secara teguh.** Perkakas listrik bisa dikendalikan lebih baik jika dipegang dengan kedua belah tangan.
- ▶ **Usahakan supaya benda yang dikerjakan tidak goyang.** Benda yang ditahan dalam alat pemegang atau bais lebih mantap daripada benda yang dipegang dengan tangan.
- ▶ **Sebelum meletakkan perkakas listrik, tunggulah sampai perkakas berhenti memutar.** Alat kerja bisa tersangkut dan membuat perkakas listrik tidak bisa dikendalikan.
- ▶ **Janganlah membuka baterai.** Ada bahaya terjadinya korsleting.



Lindungilah baterai terhadap panas, misalnya juga terhadap penyinaran matahari yang lama, api, air dan kelembaban. Ada bahaya terjadinya ledakan.

- ▶ **Jika baterai rusak dan jika baterai digunakan salah, baterai bisa mengeluarkan uap. Biarkan udara segar mengalir masuk dan jika Anda merasa tidak enak badan, pergilah ke dokter.** Uap tersebut bisa mengganggu saluran pernafasan.
- ▶ **Gunakanlah baterai hanya bersama dengan perkakas listrik merek Bosch.** Hanya dengan demikian baterai dilindungi terhadap pembebanan terlalu berat yang berbahaya.
- ▶ **Baterai dapat rusak akibat benda berujung runcing seperti paku atau obeng atau akibat tekanan yang kuat dari luar.** Hal ini dapat menyebabkan terjadinya hubungan singkat internal dan baterai dapat terbakar, berasap, meledak, atau mengalami panas berlebih.

Penjelasan tentang produk dan daya



Bacalah semua petunjuk-petunjuk untuk keselamatan kerja dan petunjuk-petunjuk untuk penggunaan. Kesalahan dalam menjalankan petunjuk-petunjuk untuk keselamatan kerja dan petunjuk-petunjuk untuk penggunaan dapat mengakibatkan kontak listrik, kebakaran dan/atau luka-luka yang berat.

Penggunaan alat

Perkakas listrik ini cocok untuk menggergaji kayu, bahan sintetik, logam dan bahan-bahan untuk membangun rumah dengan sandaran teguh. Perkakas listrik ini cocok untuk pemotongan lurus dan berliku-liku. Dengan menggunakan

mata gergaji „bimetal“ yang cocok, bisa dikerjakan pemotongan sama rata dengan permukaan. Perhatikanlah petunjuk-petunjuk tentang mata gergaji.

Bagian-bagian pada gambar

Nomor-nomor dari bagian-bagian perkakas pada gambar sesuai dengan gambar perkakas listrik pada halaman bergambar.

- 1 Mata gergaji*
- 2 Pelat dasar yang bisa bergerak
- 3 Pegangan mata gergaji
- 4 Selubung pengunci mata gergaji
- 5 Stang seher
- 6 Sakelar untuk memilih banyaknya langkah
- 7 Tombol untuk menghidupkan dan mematikan
- 8 Tombol pelepas baterai
- 9 Baterai*
- 10 Pegangan (genggaman terisolir)
- 11 Tombol untuk petanda keberisian baterai*
- 12 Petanda keberisian baterai*

*Aksesori yang ada pada gambar atau yang dijelaskan, tidak termasuk pasokan standar. Semua aksesori yang ada bisa Anda lihat dalam program aksesori Bosch.

Data teknis

Mesin gergaji todak	GSA 18 V-LI	
Nomor model		3 601 F4J 0..
Tegangan nominal	V=	18
Banyaknya langkah tanpa beban n_0		
- Tingkat putaran ke 1	min ⁻¹	0–2400
- Tingkat putaran ke 2	min ⁻¹	0–2700
Pemegang alat kerja		SDS
Pengendalian jumlah langkah		●
Langkah	mm	28
Kedalaman pemotongan maks.		
- di kayu	mm	250
- di baja, murni	mm	20
- diameter pipa	mm	130
Berat sesuai dengan EPTA-Procedure 01:2014	kg	3,2 - 3,7*
Suhu sekitar yang diizinkan		
- saat melakukan pengisian	°C	0... +45
- selama pengoperasian** dan selama penyimpanan	°C	-20... +50
Baterai yang disarankan		GBA 18 V...
Pengisi daya baterai yang direkomendasikan		AL 18..

* tergantung dari baterai yang digunakan
 ** daya dibatasi pada suhu < 0 °C
 Data teknis diukur dengan aki yang ikut dipasok.

Cara memasang

Cara mengisi baterai

► **Hanya gunakan pengisi baterai yang terdaftar di data teknis.** Hanya pengisi baterai ini yang dicocokkan pada baterai ion-Li yang diperlukan bagi perkakas listrik Anda.

Petunjuk: Baterai dipasang dalam keadaan diisi sebagian. Untuk menjamin daya penuh dari baterai, sebelum penggunaannya untuk pertama kalinya, isikanlah baterai sampai penuh sama sekali di dalam alat pencas baterai.

Baterai ion-Li bisa diisi sewaktu-waktu, tanpa mengurangi daya tahannya. Baterai tidak menjadi rusak jika pengisiannya dihentikan untuk sementara waktu.

Baterai ion-Li dilindungi terhadap pengosongan sama sekali oleh „Electronic Cell Protection (ECP)“. Jika baterai kosong perkakas listrik dimatikan oleh pengaman: alat kerja berhenti memutar.

► **Lepaskan tekanan pada tombol untuk menghidupkan dan mematikan mesin, jika perkakas listrik mati secara otomatis.** Jika tombol ditekan terus, baterai bisa menjadi rusak.

Perhatikanlah petunjuk-petunjuk untuk membuang.

Cara mengeluarkan baterai

Baterai 9 dilengkapi dengan penguncian dua tahapan, yang dimaksudkan untuk melindungi baterai supaya tidak terjatuh ke luar jika tombol pelepas baterai 8 tertekan tanpa disengaja. Selama baterai berada di dalam perkakas listrik, baterai ditahan dalam kedudukannya oleh satu fer.

Untuk mengeluarkan baterai 9, tekan tombol pelepas baterai 8 dan tarikkan baterai ke belakang ke luar dari perkakas listrik. **Janganlah melakukannya dengan paksaan.**

Petanda keberisian baterai (lihat gambar A)

Ketiga lampu petanda LED hijau dari petanda keberisian baterai 12 menunjukkan keadaan keberisian baterai 9. Demi keselamatan kerja, keadaan keberisian baterai hanya bisa diperiksa selama perkakas listrik dalam keadaan berhenti. Tekan tombol 11, untuk menampilkan petanda keberisian baterai. Hal ini juga bisa dilakukan jika baterai 9 sedang dicopotkan.

LED	Kapasitas
Lampu menetap 3 x hijau	≥2/3
Lampu menetap 2 x hijau	≥1/3
Lampu menetap 1 x hijau	<1/3
Lampu berkedip-kedip 1 x hijau	cadangan

Jika setelah tombol 11 ditekan dan tidak ada lampu petanda LED yang menyala, baterai rusak dan harus digantikan.

Memasang/mengganti mata gergaji

► **Sebelum melakukan pekerjaan pada perkakas listrik, keluarkan selalu baterai sebelumnya.**

► **Pakailah sarung tangan pelindung pada waktu memasang mata gergaji.** Bisa terjadi luka-luka jika mata gergaji tersentuh.

36 | Bahasa Indonesia

- ▶ **Pada waktu mengganti mata gergaji, perhatikanlah supaya pegangan mata gergaji tidak tercemar karena sisa-sisa kayu atau logam.**

Memilih mata gergaji

Gunakanlah hanya mata gergaji yang cocok untuk mengerjakan bahan yang akan dikerjakan.

Satu ikhtisar tentang mata gergaji-mata gergaji yang disarankan dapat Anda lihat di bagian permulaan dari petunjuk-petunjuk ini. Pasangkan hanya mata gergaji dengan gagang universal ½". Janganlah memakai mata gergaji yang terlalu panjang untuk pemotongannya.

Untuk menggergaji belokan-belokan patah, gunakanlah mata gergaji yang tidak lebar.

Memasang mata gergaji (lihat gambar B)

Tekankan mata gergaji **1** keras-keras ke dalam pegangan mata gergaji **3** sampai jelas terdengar mengancing. Dengan demikian selubung pengunci **4** berputar kira-kira 90° dan mengancing mata gergaji.

Jika mata gergaji **1** tidak terkancing, putarkan selubung pengunci **4** sebanyak kira-kira 90° dalam arah panah sampai mengancing pada kedudukan terbuka dan terdengar bunyi klik. Tekankan sekali lagi mata gergaji **1** ke dalam pegangan mata gergaji **3**.

- ▶ **Periksalah apakah kedudukan mata gergaji sudah kencang.** Mata gergaji yang tidak kencanguduknya bisa meleset ke luar dan lalu melukai Anda.

Untuk berbagai jenis pekerjaan tertentu, mata gergaji **1** juga bisa diputar sebanyak 180° (gigi-gigi mata gergaji menghadap ke atas) dan kemudian dipasangkan kembali.

Melepaskan mata gergaji (lihat gambar C)

- ▶ **Pada waktu melepaskan mata gergaji, peganglah perkakas listrik sedemikian sehingga orang atau binatang tidak terluka oleh mata gergaji yang terlompat ke luar.**

Putarkan selubung pengunci **4** sebanyak kira-kira 90° dalam arah panah. Mata gergaji **1** terlompat ke luar.

Penghisapan debu/serbuk

- ▶ Debu dari bahan-bahan seperti misalnya cat yang mengandung timbel (timah hitam), beberapa jenis kayu, bahan mineral dan logam bisa berbahaya bagi kesehatan. Menyentuh atau menghirup debu-debu ini bisa mengakibatkan reaksi alergi dan/atau penyakit saluran pernafasan dari orang yang menggunakan mesin atau orang yang berada di dekatnya. Beberapa debu tertentu seperti misalnya debu kayu pohon quercus atau pohon fagus silvatica dianggap bisa mengakibatkan penyakit kanker, terutama dalam campuran dengan bahan-bahan tambahan untuk pengolahan kayu (kromat, obat pengawet kayu). Bahan-bahan yang mengandung asbes hanya boleh dikerjakan oleh orang-orang yang ahli.
 - Perhatikanlah supaya ada pertukaran udara di tempat kerja.
 - Kami anjurkan supaya Anda memakai kedok anti debu dengan saringan (filter) kelas P2.

Taatilah peraturan-peraturan untuk bahan-bahan yang dikerjakan yang berlaku di negara Anda.

- ▶ **Hindarkan debu yang banyak terkumpul di tempat kerja.** Debu dapat menyulut dengan mudahnya.

Penggunaan**Cara penggunaan****Memasang baterai**

- ▶ **Gunakanlah hanya baterai ion-Li yang asli dari Bosch dengan tegangan yang tercantum pada label tipe perkakas listrik Anda.** Penggunaan baterai-baterai lainnya bisa menyebabkan terjadinya luka-luka dan bahaya kebakaran.

Setelkan sakelar untuk memilih banyaknya langkah **6** pada kedudukan tengah, untuk melindungi perkakas listrik terhadap penghidupan yang tidak disengaja. Dorongkan aki yang sudah diisi **9** dari depan ke dalam kaki dari perkakas listrik sampai masuk. Tekankan aki ke dalam kaki perkakas, sampai garis berwarna merah tidak terlihat lagi dan aki terkancing secara mantap.

Mengganti penyetelan banyaknya langkah

Dengan sakelar untuk memilih banyaknya langkah **6** Anda bisa mengganti penyetelan banyaknya langkah perkakas listrik. Akan tetapi ini tidak bisa dilakukan jika tombol untuk menghidupkan dan mematikan **7** sedang ditekan.

Sakelar untuk memilih banyaknya langkah 6 di tengah:
Pengunci penghidupan kembali aktif.

Tombol untuk menghidupkan dan mematikan **7** memblokir dan perkakas listrik dilindungi terhadap penghidupan yang tidak disengaja.

Sakelar untuk memilih banyaknya langkah 6 di kiri:

Tingkatan putaran ke 1, jumlah langkah rendah.



Jumlah langkah yang rendah cocok untuk mengerjakan bahan yang keras, misalnya baja, logam non besi, bahan sintetik yang keras, atau untuk pemotongan halus di kayu dan untuk pemotongan dalam.

Jumlah langkah yang rendah membuat vibrasi yang terjadi lebih sedikit.

Sakelar untuk memilih banyaknya langkah 6 di kanan:

Tingkatan putaran ke 2, jumlah langkah tinggi.



Jumlah langkah yang tinggi cocok untuk mengerjakan bahan yang lunak. Jumlah langkah yang tinggi membuat pekerjaan lebih cepat, misalnya untuk pemotongan kasar di kayu.

Menghidupkan/mematikan

Untuk **Menyalakan** perkakas listrik, tekanlah switch on/off 7 dan tahan.

Untuk **mematikan** perkakas listrik, lepaskan tombol untuk menghidupkan dan mematikan 7.

Mengendalikan banyaknya langkah

Anda bisa menyetelkan jumlah langkah tanpa tingkatan pada perkakas listrik yang sedang berjalan, tergantung dari besarnya tekanan pada tombol untuk menghidupkan dan mematikan 7.

Jumlah langkah yang diperlukan tergantung dari bahan yang dikerjakan dan syarat-syarat kerja dan bisa didapatkan dengan cara uji coba.

Kami anjurkan supaya jumlah langkah dikurangi pada waktu mengenakan mata gergaji pada benda yang dikerjakan serta selama memotong bahan sintetik dan aluminium.

Petunjuk-petunjuk untuk pemakaian

- ▶ **Sebelum melakukan semua pekerjaan pada perkakas listrik (misalnya merawat, mengganti alat kerja dsb.) serta selama transpor atau penyimpanan, keluarkanlah baterai dari perkakas listrik.** Jika tombol untuk menghidupkan dan mematikan digerakkan tanpa sengaja, bisa terjadi luka-luka.

Pelat dasar yang bisa bergerak (lihat gambar D)

Pelat dasar 2 bisa bergerak jungkat-jungkit, supaya kedudukannya bisa dicocokkan pada permukaan yang dikerjakan.

Tips

- ▶ **Jika menggergaji bahan-bahan bangunan yang ringan, perhatikanlah peraturan-peraturan dari pemerintah dan petunjuk-petunjuk dari produsen bahan-bahan.**

Sebelum menggergaji kayu, pelat serbuk kayu, bahan bangunan dsb., periksalah apakah ada benda-benda lainnya seperti paku, sekrup dsb. dan keluarkan jika ada.

Hidupkan perkakas listrik dan dekatkannya pada benda yang akan dikerjakan. Kenakan pelat dasar 2 secara rata pada permukaan benda yang akan dikerjakan dan bekerjalah dengan tekanan atau dorongan yang rata sampai selesai. Setelah pekerjaan rampung, matikanlah perkakas listrik.

Jika mata gergaji terjepit, matikanlah segera perkakas listrik. Lebarakan celah gergajian sedikit saja dengan perkakas yang cocok, kemudian tarikkan perkakas listrik ke luar.

Pemotongan dalam (lihat gambar E)

- ▶ **Hanya bahan-bahan yang lunak seperti kayu, pelat gips berlapis karton dsb. yang boleh digergaji dengan cara pemotongan dalam! Janganlah menggergaji bahan logam dengan cara pemotongan dalam!**

Gunakanlah hanya mata gergaji yang pendek untuk pemotongan dalam.

Pasangkan perkakas listrik dengan pinggirannya dari pelat dasar 2 pada benda yang akan dikerjakan dan hidupkan perkakas listrik. Pada perkakas listrik dengan pengendalian banyaknya langkah, setelkan jumlah langkah maksimal. Tekankan perkakas listrik secara keras pada benda yang dikerjakan dan

biarkan mata gergaji masuk perlahan-lahan ke dalam benda yang dikerjakan.

Segera setelah pelat dasar 2 terkena rata pada benda yang dikerjakan, teruskan penggergajian pada garis pemotongan yang dikehendaki.

Untuk berbagai jenis pekerjaan tertentu, mata gergaji 1 bisa diputar sebanyak 180° dan kemudian dipasangkan, arah gerak mesin gergaji tidak tentu terbalik juga.

Menggergaji sama rata dengan permukaan (lihat gambar F)

Dengan menggunakan mata gergaji „bimetal“ yang elastis, misalnya bahan bangunan yang menonjol dari dinding seperti pipa air dsb., bisa digergaji sama rata dengan dinding.

- ▶ **Perhatikanlah selalu bahwa mata gergaji lebih panjang daripada diameter pipa yang hendak dikerjakan. Bisa terjadi bantingan.**

Gerakkan mata gergaji sejajar dengan permukaan dinding dan dengan dorongan samping pada perkakas listrik, usahakan supaya pelat dasar bersandar pula pada dinding. Hidupkan perkakas listrik dan gergajikan benda dengan tekanan samping yang konstan.

Bahan pendingin/pelumas

Jika Anda menggergaji logam, terjadi panas sehingga sebaiknya Anda mengoleskan bahan pendingin atau bahan pelumas di garis potongan.

Petunjuk-petunjuk untuk penanganan baterai yang optimal

Lindungilah baterai terhadap kelembaban dan air.

Simpanlah baterai hanya pada tingkatan suhu antara – 20 °C dan 50 °C. Janganlah membiarkan baterai di dalam mobil, misalnya selama musim panas.

Bersihkan lubang-lubang ventilasi dari baterai dengan kuas yang lunak, bersih dan kering secara berkala.

Jika setelah diisi waktu pemakaian baterai semakin pendek, ini petanda bahwa baterai sudah aus dan harus diganti.

Perhatikanlah petunjuk-petunjuk untuk membuang.

Rawatan dan servis**Rawatan dan kebersihan**

- ▶ **Sebelum melakukan semua pekerjaan pada perkakas listrik (misalnya merawat, mengganti alat kerja dsb.) serta selama transpor atau penyimpanan, keluarkanlah baterai dari perkakas listrik.** Jika tombol untuk menghidupkan dan mematikan digerakkan tanpa sengaja, bisa terjadi luka-luka.
- ▶ **Perkakas listrik dan lubang ventilasi harus selalu dibersihkan supaya perkakas bisa digunakan dengan baik dan aman.**

Bersihkanlah pemegang mata gergaji, paling cocok dengan udara bertekanan atau dengan kuas yang lunak. Untuk melakukannya, lepaskan mata gergaji dari perkakas listrik. Rawatlah pemegang mata gergaji dengan menggunakan bahan pelumas yang cocok, supaya tidak menjadi rusak.

38 | Tiếng Việt

Perkakas listrik yang sangat kotor mungkin tidak berfungsi dengan baik. Karena itu janganlah menggergaji bahan-bahan yang menyebabkan banyak debu dari bawah atau janganlah menggergaji bahan yang letaknya lebih tinggi dari kepala Anda.

Layanan pasca beli dan konseling terkait pengoperasian

Layanan pasca beli Bosch menjawab semua pertanyaan Anda terkait reparasi dan maintenance serta suku cadang produk ini. Gambar tiga dimensi dan informasi terkait suku cadang dapat Anda lihat di:

www.bosch-pt.com

Tim konseling pengoperasian dari Bosch dengan senang hati membantu Anda, jika Anda hendak bertanya tentang produk-produk kami dan aksesorisnya.

Jika Anda hendak menanyakan sesuatu atau memesan suku cadang, sebutkan selalu nomor model yang terdiri dari 10 angka dan tercantum pada label tipe pekasas.

Indonesia

PT Robert Bosch
Palma Tower 9th & 10th Floor
Jl. Let. Jend. TB Simatupang II S/06
Jakarta Selatan 12960
Indonesia
Tel.: (021) 3005 6565
Fax: (021) 3005 5801
E-Mail: boschpowertools@id.bosch.com
www.bosch-pt.co.id

Transpor

Pada baterai-baterai ion-Li yang digunakan diterapkan persyaratan terkait peraturan-peraturan tentang bahan-bahan yang berbahaya. Baterai-baterai dapat diangkut oleh penggunanya di jalanan tanpa harus memenuhi syarat-syarat tertentu.

Pada pengiriman oleh pihak ketiga (misalnya transportasi dengan pesawat udara atau perusahaan ekspedisi) harus ditaati syarat-syarat terkait kemasan dan pemberian tanda. Dalam hal ini, untuk mempersiapkan transportasi harus diminta dukungan seorang ahli bahan-bahan berbahaya.

Kirimkan baterai hanya jika rumahnya tidak rusak. Kontak-kontak yang terbuka harus ditutupi dengan pita perekat dan kemasan baterai sedemikian, sehingga baterai tidak bergerak-gerak di dalam kemasan.

Taatilah peraturan-peraturan nasional lainnya yang mungkin lebih rinci yang berlaku di negara Anda.

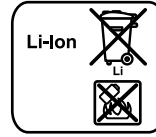
Cara membuang



Semua perkakas listrik, baterai, aksesoris dan kemasan sebaiknya didaur ulang sesuai dengan upaya untuk melindungi lingkungan hidup.

Janganlah membuang perkakas listrik, baterai isi ulang/baterai ke dalam sampah rumah tangga!

Baterai isi ulang/Baterai:



Ion-Li:

Perhatikanlah petunjuk-petunjuk dalam bab „Transpor“, halaman 38.

Perubahan dapat terjadi tanpa pemberitahuan sebelumnya.

Tiếng Việt

Các Nguyên Tắc An Toàn

Cảnh báo tổng quát cách sử dụng an toàn dụng cụ điện cầm tay

⚠ CẢNH BÁO Đọc kỹ mọi cảnh báo an toàn và hướng dẫn. Không tuân thủ mọi

cảnh báo và hướng dẫn được liệt kê dưới đây có thể bị điện giật, gây cháy và/hay bị thương tật nghiêm trọng.

Hãy giữ tất cả tài liệu về cảnh báo và hướng dẫn để tham khảo về sau.

Thuật ngữ “dụng cụ điện cầm tay” trong phần cảnh báo là để cập đến sự sử dụng dụng cụ điện cầm tay của bạn, loại sử dụng điện nguồn (có dây cắm điện) hay vận hành bằng pin (không dây cắm điện).

Khu vực làm việc an toàn

- ▶ **Giữ nơi làm việc sạch và đủ ánh sáng.** Nơi làm việc bừa bộn và tối tăm dễ gây ra tai nạn.
- ▶ **Không vận hành dụng cụ điện cầm tay trong môi trường dễ gây nổ, chẳng hạn như nơi có chất lỏng dễ cháy, khí đốt hay rác.** Dụng cụ điện cầm tay tạo ra các tia lửa nên có thể làm rác bén cháy hay bốc khói.
- ▶ **Không để trẻ em hay người đến xem đứng gần khi vận hành dụng cụ điện cầm tay.** Sự phân tâm có thể gây ra sự mất điều khiển.

An toàn về điện

- ▶ **Phích cắm của dụng cụ điện cầm tay phải thích hợp với ổ cắm. Không bao giờ được cải biến lại phích cắm dưới mọi hình thức. Không được sử dụng phích tiếp hợp nối tiếp đất (dây mát).** Phích cắm nguyên bản và ổ cắm đúng loại sẽ làm giảm nguy cơ bị điện giật.
- ▶ **Tránh không để thân thể tiếp xúc với đất hay các vật có bề mặt tiếp đất như đường ống, lò sưởi, hàng rào và tủ lạnh.** Có nhiều nguy cơ bị điện giật hơn nếu cơ thể bạn bị tiếp hay nối đất.
- ▶ **Không được để dụng cụ điện cầm tay ngoài mưa hay ở tình trạng ẩm ướt.** Nước vào máy sẽ làm tăng nguy cơ bị điện giật.

- ▶ **Không được lạm dụng dây dẫn điện. Không bao giờ được nắm dây dẫn để xách, kéo hay rút phích cắm dụng cụ điện cầm tay. Không để dây gần nơi có nhiệt độ cao, dầu nhớt, vật nhọn bén hay bộ phận chuyển động.** Làm hỏng hay cuộn rối dây dẫn làm tăng nguy cơ bị điện giật.
- ▶ **Khi sử dụng dụng cụ điện cầm tay ngoài trời, dùng dây nối thích hợp cho việc sử dụng ngoài trời.** Sử dụng dây nối thích hợp cho việc sử dụng ngoài trời làm giảm nguy cơ bị điện giật.
- ▶ **Nếu việc sử dụng dụng cụ điện cầm tay ở nơi ẩm ướt là không thể tránh được, dùng thiết bị ngắt mạch tự động (RCD) bảo vệ nguồn.** Sử dụng thiết bị ngắt mạch tự động RCD làm giảm nguy cơ bị điện giật.

An toàn cá nhân

- ▶ **Hãy tỉnh táo, biết rõ mình đang làm gì và hãy sử dụng ý thức khi vận hành dụng cụ điện cầm tay. Không sử dụng dụng cụ điện cầm tay khi đang mệt mỏi hay đang bị tác động do chất gây nghiện, rượu hay được phẩm gây ra.** Một thoáng mất tập trung khi đang vận hành dụng cụ điện cầm tay có thể gây thương tích nghiêm trọng cho bản thân.
- ▶ **Sử dụng trang bị bảo hộ cá nhân. Luôn luôn đeo kính bảo vệ mắt.** Trang bị bảo hộ như khẩu trang, giày chống trượt, nón bảo hộ, hay dụng cụ bảo vệ tai khi được sử dụng đúng nơi đúng chỗ sẽ làm giảm nguy cơ thương tật cho bản thân.
- ▶ **Phòng tránh máy khởi động bất ngờ. Bảo đảm công tắc máy ở vị trí tắt trước khi cắm vào nguồn điện và/hay lắp pin vào, khi nhắc máy lên hay khi mang xách máy.** Ngáng ngón tay vào công tắc máy để xách hay kích hoạt dụng cụ điện cầm tay khi công tắc ở vị trí mở dễ dẫn đến tai nạn.
- ▶ **Lấy mọi chìa hay khóa điều chỉnh ra trước khi mở điện dụng cụ điện cầm tay.** Khóa hay chìa còn gắn dính vào bộ phận quay của dụng cụ điện cầm tay có thể gây thương tích cho bản thân.
- ▶ **Không rướn người. Luôn luôn giữ tư thế đứng thích hợp và thẳng bằng.** Điều này tạo cho việc điều khiển dụng cụ điện cầm tay tốt hơn trong mọi tình huống bất ngờ.
- ▶ **Trang phục thích hợp. Không mặc quần áo rộng lủng thụng hay mang trang sức. Giữ tóc, quần áo và găng tay xa khỏi các bộ phận chuyển động.** Quần áo rộng lủng thụng, đồ trang sức hay tóc dài có thể bị cuốn vào các bộ phận chuyển động.
- ▶ **Nếu có các thiết bị đi kèm để nối máy hút bụi và các phụ kiện khác, bảo đảm các thiết bị này được nối và sử dụng tốt.** Việc sử dụng các thiết bị gom hút bụi có thể làm giảm các độc hại liên quan đến bụi gây ra.

Sử dụng và bảo dưỡng dụng cụ điện cầm tay

- ▶ **Không được ép máy. Sử dụng dụng cụ điện cầm tay đúng loại theo đúng ứng dụng của bạn.** Dụng cụ điện cầm tay đúng chức năng sẽ làm việc tốt và an toàn hơn theo đúng tiến độ mà máy được thiết kế.
- ▶ **Không sử dụng dụng cụ điện cầm tay nếu như công tắc không tắt và mở được.** Bất kỳ dụng cụ điện cầm tay nào mà không thể điều khiển được bằng công tắc là nguy hiểm và phải được sửa chữa.
- ▶ **Rút phích cắm ra khỏi nguồn điện và/hay pin ra khỏi dụng cụ điện cầm tay trước khi tiến hành bất kỳ điều chỉnh nào, thay phụ kiện, hay cất dụng cụ điện cầm tay.** Các biện pháp ngăn ngừa như vậy làm giảm nguy cơ dụng cụ điện cầm tay khởi động bất ngờ.
- ▶ **Cất giữ dụng cụ điện cầm tay không dùng tới nơi trẻ em không lấy được và không cho người chưa từng biết dụng cụ điện cầm tay hay các hướng dẫn này sử dụng dụng cụ điện cầm tay.** Dụng cụ điện cầm tay nguy hiểm khi ở trong tay người chưa được chỉ cách sử dụng.
- ▶ **Bảo quản dụng cụ điện cầm tay. Kiểm tra xem các bộ phận chuyển động có bị sai lệch hay kẹt, các bộ phận bị rạn nứt và các tình trạng khác có thể ảnh hưởng đến sự vận hành của máy. Nếu bị hư hỏng, phải sửa chữa máy trước khi sử dụng.** Nhiều tai nạn xảy ra do bảo quản dụng cụ điện cầm tay tồi.
- ▶ **Giữ các dụng cụ cất bên và sạch.** Bảo quản đúng cách các dụng cụ cất có cạnh cắt bén làm giảm khả năng bị kẹt và dễ điều khiển hơn.
- ▶ **Sử dụng dụng cụ điện cầm tay, phụ kiện, đầu cài v. v., đúng theo các chỉ dẫn này, hãy lưu ý đến điều kiện làm việc và công việc phải thực hiện.** Sử dụng dụng cụ điện cầm tay khác với mục đích thiết kế có thể tạo nên tình huống nguy hiểm.

Sử dụng và bảo quản dụng cụ dùng pin

- ▶ **Chỉ được sạc pin lại với bộ nạp điện do nhà sản xuất chỉ định.** Bộ nạp điện thích hợp cho một loại pin có thể gây nguy cơ cháy khi sử dụng cho một loại pin khác.
- ▶ **Chỉ sử dụng dụng cụ điện cầm tay với loại pin được thiết kế đặt biệt dành riêng cho máy.** Sử dụng bất cứ loại pin khác có thể dẫn đến thương tật hay cháy.
- ▶ **Khi không sử dụng pin, để cách xa các vật bằng kim loại như kẹp giấy, tiền xu, chìa khóa, đinh, ốc vít hay các đồ vật kim loại nhỏ khác,**

40 | Tiếng Việt

thứ có thể tạo sự nối tiếp từ một đầu cực với một đầu cực khác. Sự chạm mạch của các đầu cực với nhau có thể gây bóng hay cháy.

- ▶ **Bảo quản ở tình trạng tối, dung dịch từ pin có thể tửa ra; tránh tiếp xúc. Nếu vô tình chạm phải, hãy xối nước để rửa. Nếu dung dịch vào mắt, cần thêm sự hỗ trợ của y tế.** Dung dịch tiết ra từ pin có thể gây ngứa hay bóng.

Bảo dưỡng

- ▶ **Đưa dụng cụ điện cầm tay của bạn đến thợ chuyên môn để bảo dưỡng, chỉ sử dụng phụ tùng đúng chủng loại để thay.** Điều này sẽ đảm bảo sự an toàn của máy được giữ nguyên.

Cảnh Báo An Toàn cho các loại Cửa Kiểm

- ▶ **Nắm giữ dụng cụ điện nơi phần nắm cách điện khi thực hiện việc gia công nơi dụng cụ cắt có thể chạm vào dây điện không nhìn thấy được hay chính dây của máy.** Dụng cụ cắt chạm vào dây "có điện" có thể làm cho các bộ phận kim loại không được bao bọc của dụng cụ điện "có điện" và có khả năng gây cho người sử dụng máy bị điện giật.
- ▶ **Để tay tránh xa khỏi phạm vi cắt. Không được tiếp xúc với phần bên dưới vật gia công.** Tiếp xúc với lưỡi cửa có thể dẫn đến việc bị thương tích.
- ▶ **Chỉ cho máy gia công vật liệu khi máy đã hoạt động.** Nếu không làm vậy thì sẽ có nguy cơ bị giật ngược do dụng cụ cắt bị kẹp chặt trong vật gia công.
- ▶ **Khi cửa, bàn chặn điều chỉnh được 2 phải luôn luôn áp sát vào vật gia công.** Lưỡi cửa có thể bị chèn chặt và dẫn đến sự mất điều khiển máy.
- ▶ **Khi đã cắt xong, tắt máy và sau đó rút lưỡi cửa ra khỏi mạch cắt chỉ sau khi lưỡi cửa đã ngừng chuyển động hoàn toàn.** Thực hiện như vậy bạn có thể tránh được sự giật ngược và có thể đặt máy xuống một cách an toàn.
- ▶ **Chỉ sử dụng lưỡi cửa còn nguyên vẹn, có tình trạng hoàn hảo.** Lưỡi cửa bị cong hay cùn có thể bị gãy, ảnh hưởng xấu đến sự cắt, và có thể gây ra sự dội ngược.
- ▶ **Không được hãm lưỡi cửa cho dừng lại bằng cách tạo lực ép lên hông lưỡi cửa sau khi tắt máy.** Lưỡi cửa có thể bị hỏng, gãy hay gây ra giật ngược.
- ▶ **Kẹp vật liệu cho thật chắc. Không được dùng tay hay chân của bạn để kềm giữ vật gia công. Không được để cửa đang hoạt động chạm vào các đồ vật hay mặt sàn.** Nguy cơ của sự giật ngược.

- ▶ **Sử dụng thiết bị dò tìm thích hợp để xác định các đường hay ống dẫn công ích nằm âm trong khu vực làm việc hay liên hệ với cty công trình phúc lợi để nhờ giúp đỡ.** Tiếp xúc với dây điện có thể dẫn đến cháy và bị điện giật. Chạm đường dẫn khí đốt có thể gây nổ. Làm thủng ống dẫn nước có thể làm hư hại tài sản hay có thể gây ra điện giật.

- ▶ **Khi sử dụng máy, luôn luôn giữ chặt máy bằng cả hai tay và tạo tư thế đứng vững chắc.** Dụng cụ điện cầm tay vận hành an toàn hơn khi dùng cả hai tay.

- ▶ **Kẹp chặt vật gia công.** Vật gia công được kẹp bằng một thiết bị kẹp hay bằng êtô thì vững chắc hơn giữ bằng tay.

- ▶ **Luôn luôn đợi cho máy hoàn toàn ngừng hẳn trước khi đặt xuống.** Dụng cụ lắp vào máy có thể bị kẹp chặt dẫn đến việc dụng cụ điện cầm tay bị mất điều khiển.

- ▶ **Không được tháo pin ra.** Nguy cơ bị chạm mạch.



Bảo vệ pin không để bị làm nóng, ví dụ, chống để lâu dài dưới ánh nắng gay gắt, lửa, nước, và sự ẩm ướt. Sự nguy hiểm của nổ.

- ▶ **Trong trường hợp pin bị hỏng hay sử dụng sai cách, hơi nước có thể bốc ra. Hãy làm cho thông thoáng khí và trong trường hợp bị đau phải nhờ y tế chữa trị.** Hơi nước có thể gây ngứa hệ hô hấp.

- ▶ **Chỉ sử dụng pin cùng chung với dụng cụ điện cầm tay Bosch của bạn.** Chỉ riêng với cách này đã bảo vệ cho pin không bị nguy hiểm do quá tải.

- ▶ **Pin có thể bị hư hại bởi các vật dụng nhọn như đinh hay tuốc-nơ-vít hoặc bởi các tác động lực từ bên ngoài.** Nó có thể dẫn tới đoản mạch nội bộ và làm pin bị cháy, bốc khói, phát nổ hoặc quá nóng.

Mô Tả Sản Phẩm và Đặc Tính Kỹ Thuật



Đọc kỹ mọi cảnh báo an toàn và mọi hướng dẫn. Không tuân thủ mọi cảnh báo và hướng dẫn được liệt kê dưới đây có thể bị điện giật, gây cháy và/hay bị thương tật nghiêm trọng.

Dành sử dụng cho

Máy được thiết kế để cửa gỗ, nhựa mủ, kim loại và vật liệu xây dựng khi còn nằm dính chắc trên vật liệu gia công. Máy thích hợp để cắt các đường thẳng và cong. Khi sử dụng lưỡi cửa lưỡng kim thích hợp, máy có thể cắt ngang bằng mặt vật gia công. Phải tuân thủ theo loại lưỡi cửa đã được khuyến nghị.

Biểu trưng của sản phẩm

Sự đánh số các biểu trưng của sản phẩm là để tham khảo hình minh họa của máy trên trang hình ảnh.

- 1 Lưỡi cưa*
- 2 Bàn chặn điều chỉnh được
- 3 Bộ phận gắn lưỡi cưa
- 4 Vòng khóa lưỡi cưa
- 5 Thanh chạy
- 6 Gạc chọn tốc độ tần suất chạy
- 7 Công tắc Tắt/Mở
- 8 Núm tháo pin
- 9 Pin*
- 10 Tay nắm (bề mặt nắm cách điện)
- 11 Núm dành cho đèn báo sự kiểm soát dòng điện nạp*
- 12 Đèn báo sự kiểm soát dòng điện nạp*

*Phụ tùng được trình bày hay mô tả không phải là một phần của tiêu chuẩn hàng hóa được giao kèm theo sản phẩm. Bạn có thể tham khảo tổng thể các loại phụ tùng, phụ kiện trong chương trình phụ tùng của chúng tôi.

Thông số kỹ thuật

Cửa kiểm	GSA 18 V-LI	
Mã số máy		3 601 F4J 0..
Điện thế danh định	V=	18
Tốc độ khoảng chạy không tải n_0		
- Vòng truyền lực thứ 1	spm	0–2400
- Vòng truyền lực thứ 2	spm	0–2700
Phần lắp dụng cụ		SDS
Điều khiển tần suất nhịp chạy		●
Nhịp chạy	mm	28
Công suất cắt, tối đa		
- với gỗ	mm	250
- với thép không hợp kim	mm	20
- Đường kính ống	mm	130
Trọng lượng theo Quy trình EPTA-Procedure 01:2014 (chuẩn EPTA 01:2014)	kg	3,2 - 3,7*
Nhiệt độ môi trường cho phép		
- trong quá trình sạc điện	°C	0... +45
- khi vận hành** và khi lưu trữ	°C	-20... +50
Pin được khuyến dùng		GBA 18 V...
Thiết bị nạp được giới thiệu		AL 18..

* tùy vào loại pin lốc đang sử dụng
 ** hiệu suất giới hạn ở nhiệt độ <0 °C
 Các dữ kiện kỹ thuật được xác định cho pin được giao cùng hàng hóa cung cấp.

Sự lắp vào

Nạp điện pin

► **Chỉ sử dụng bộ sạc được đề cập trong dữ liệu kỹ thuật.** Chỉ những bộ sạc này phù hợp cho dụng cụ điện cầm tay của bạn có sử dụng pin Li-Ion.

Ghi Chú: Pin giao kèm máy chỉ được nạp điện một phần. Để đảm bảo pin có đầy đủ điện dung, nạp điện hoàn toàn cho pin bằng bộ nạp điện pin trước khi bạn sử dụng dụng cụ điện cho lần đầu tiên.

Pin Lithium ion có thể nạp điện bất cứ lúc nào mà vẫn không làm giảm tuổi thọ của pin. Sự làm gián đoạn qui trình nạp điện không làm cho pin bị hư hỏng.

Pin Li-on được bảo vệ ngăn sự phóng điện quá lớn nhờ vào "Bộ phận Điện tử Bảo vệ Pin (Electronic Cell Protection = ECP)". Khi pin hết điện, máy tự tắt nhờ vào thiết bị bảo vệ mạch: Dụng cụ đang lắp trong máy dừng quay hẳn.

► **Không được tiếp tục nhấn vào công tắc Tắt/Mở sau khi máy đã tự động tắt.** Có thể làm cho pin hỏng.

Tuân thủ các chú thích dành cho việc thái bỏ.

Tháo Pin

Pin **9** được trang bị hai lớp khóa để ngăn sao cho pin không bị rơi ra ngoài khi vô ý nhấn phải nút tháo pin **8**. Cứ khi nào pin còn được lắp trong dụng cụ điện, nó vẫn được giữ nguyên vị trí nhờ vào một lò xo.

Để tháo pin **9**, nhấn nút tháo pin **8** và kéo pin ra khỏi dụng cụ điện hướng ra phía sau. **Không dùng cường lực.**

Đèn Báo Sự Kiểm Soát Dòng Điện Nạp (xem hình A)

Ba đèn LED màu xanh lá của bộ nạp điện pin báo hiệu sự kiểm soát sự nạp điện pin **12** báo hiệu tình trạng nạp điện của pin **9**. Vì lý do an toàn, ta chỉ có thể kiểm tra trạng thái của tình trạng nạp điện khi máy đã ngừng hoạt động hoàn toàn.

Nhấn nút **11** để hiển thị tình trạng nạp điện. Điều này cũng thực hiện được khi pin **9** đã được tháo ra.

LED	Điện dung
Sáng liên tục 3 x màu xanh lá	≥2/3
Sáng liên tục 2 x màu xanh lá	≥1/3
Sáng liên tục 1 x màu xanh lá	<1/3
Chớp sáng 1 x màu xanh lá	Sự Dự Phòng

Khi không có đèn LED nào sáng lên sau khi nhấn nút **11**, nếu vậy thì pin đã bị hỏng và phải được thay thế.

Thay/Lắp Lưỡi Cưa

► **Trước khi thực hiện bất cứ việc gì trên dụng cụ điện, hãy tháo pin ra.**

42 | Tiếng Việt

- ▶ **Khí lấp lưởi cửa, hãy mang găng bảo vệ tay vào.** Có nguy cơ bị thương tích khi chạm vào lưởi cửa.
- ▶ **Khí thay lưởi cửa, bảo đảm rằng bộ phận gắn lưởi cửa không bị mụn cắn vật liệu bám vào, v. d. vỏ bảo gỗ hay kim loại.**

Chọn Lưởi Cửa

Chỉ sử dụng lưởi cửa thích hợp với vật liệu đang được gia công.

Ta có thể tham khảo bảng miêu tả tổng quát các loại lưởi cửa được khuyến nghị ở phần đầu các hướng dẫn sử dụng này. Chỉ sử dụng “các lưởi cửa có chuôi phổ thông” ½. Lưởi cửa không nên dài hơn mức cần thiết đối với ý định cắt.

Hãy sử dụng lưởi cửa mỏng để cắt các đường cong hẹp.

Lắp Lưởi Cửa Vào (xem hình B)

Tra lưởi cửa **1** thật chặt vào trong bộ phận gắn lưởi cửa **3** cho đến khi nghe rõ tiếng ăn khớp. Động tác này làm cho vòng khóa **4** bị xoay khoảng 90° và khóa lưởi cửa lại.

Nếu như lưởi cửa **1** không khóa lại được, vặn vòng khóa **4** vào khoảng 90° theo chiều của mũi tên cho đến khi khóa được ngay tại vị trí trống và ta nghe thấy tiếng “cách”. Sau đó tra lưởi cửa **1** vào trong bộ phận gắn lưởi cửa **3** lần nữa.

- ▶ **Kiểm tra lưởi cửa có được bắt chắc vào.** Lưởi cửa gắn vào còn lỏng có thể rơi ra và gây thương tích.

Đối với loại công việc cụ thể nào đó, lưởi cửa **1** cũng có thể xoay 180° (ràng cửa hướng lên trên) và lắp vào lại lần nữa.

Bung Lưởi Cửa Ra (xem hình C)

- ▶ **Khí bung lưởi cửa, giữ máy ở tư thế sao cho không để người và thú vật có thể bị thương tích do lưởi cửa bị bung ra.**

Xoay vòng khóa **4** vào khoảng 90° theo chiều của mũi tên. Lưởi cửa **1** bật ra.

Hút Dăm/Bụi

- ▶ **Mạt bụi từ các vật liệu được sơn phủ ngoài có chứa chì trên một số loại gỗ, khoáng vật và kim loại có thể gây nguy hại đến sức khoẻ con người.** Dụng cụ chạm hay hít thở các bụi này có thể làm người sử dụng hay đứng gần bị dị ứng và/hoặc gây nhiễm trùng hệ hô hấp.

Một số hạt bụi cụ thể, ví dụ như bụi gỗ sồi hay hay đậu, được xem là chất gây ung thư, đặc biệt là có liên quan đến các chất phụ gia dùng xử lý gỗ (chất cromat, chất bảo quản gỗ). Có thể chỉ nên để thợ chuyên môn gia công các loại vật liệu có chứa amiăng.

- Tạo không khí thông thoáng nơi làm việc.
- Khuyến nghị nên mang mặt nạ phòng độc có lọc cấp P2.

Tuân thủ các qui định của quốc gia bạn liên quan đến loại vật liệu gia công.

- ▶ **Tránh không để rác tích tụ tại nơi làm việc.** Rác có thể dễ dàng bắt lửa.

Vận Hành**Bắt Đầu Vận Hành****Lắp Pin Vào**

- ▶ **Chỉ sử dụng pin Li-ion của chính hãng Bosch với điện thế được ghi trên nhãn máy của dụng cụ điện cầm tay của bạn.** Sử dụng các loại pin khác có thể dẫn đến thương tật và gây ra cháy.

Để bảo vệ máy không bị khởi động bất ngờ, chỉnh đặt gạt chọn tốc độ tần suất chạy **6** về vị trí chính giữa. Lắp pin đã nạp điện **9** từ mặt trước vào trong tay nắm của dụng cụ điện. Đẩy pin hoàn toàn vào hết bên trong tay nắm cho đến khi không còn thấy vạch màu đỏ, và pin đã được khóa lại chắc chắn.

Thay Đổi Sự Chỉnh Đặt Tốc Độ Tần Suất Chạy

Sự chỉnh đặt tốc độ tần suất chạy của dụng cụ điện có thể thay đổi bằng gạt chọn tần suất chạy **6**. Tuy nhiên, việc này không thể thực hiện được khi công tắc Tắt/Mở **7** bị nhấn vào.

Gạt chọn tốc độ tần suất chạy 6 - vị trí chính giữa:

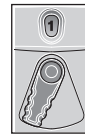
Khóa an toàn được khởi hoạt.



Công tắc Tắt/Mở **7** bị chặn lại và máy vẫn an toàn, không bị khởi động do vô ý chạm phải.

Gạt chọn tốc độ tần suất chạy 6 - bên trái:

1. Vòng truyền lực, tốc độ tần suất chạy thấp.



Tốc độ tần suất chạy thấp thích hợp để cửa vật liệu rắn như là thép, kim loại màu, nhựa mù cứng hoặc cần cắt có độ chính xác cao cũng như để cắt xọc vào gỗ. Tốc độ tần suất chạy thấp có khả năng làm giảm sự rung lắc khi cửa.

Gạt chọn tốc độ tần suất chạy 6 - bên phải:

2. Vòng truyền lực, tốc độ tần suất chạy cao.



Tốc độ tần suất chạy cao thích hợp để cửa loại vật liệu mềm. Tốc độ tần suất chạy cao có khả năng làm tiến độ vận hành được nhanh hơn, v.d. gia công thô cắt xà gỗ.

Bật Mở và Tắt

Để **bật** dụng cụ điện cầm tay, bạn hãy nhấn công tắc bật/tắt **7** và giữ nhấn công tắc này.

Để **tắt** dụng cụ điện cầm tay, bạn hãy nhả công tắc bật/tắt **7**.

Kiểm Soát Tần Suất Nhịp Chạy

Tăng hay giảm lực áp lên công tắc Tắt/Mở **7** cho phép điều khiển tần suất nhịp chạy mà không thông qua từng giai đoạn khi máy đang hoạt động.

Tần suất nhịp chạy cần có tốt nhất tùy thuộc vào loại vật liệu và điều kiện làm việc và có thể xác định thông qua việc chạy thử thực tế.

Khuyến nghị nên làm giảm tần suất nhịp chạy khi lưỡi cưa bắt đầu ăn vào vật liệu cũng như khi cưa nhựa mủ hay nhôm.

Hướng Dẫn Sử Dụng

► **Trước khi tiến hành bất cứ công việc gì với máy (vd., bảo dưỡng, thay dụng cụ v.v..) cũng như khi vận chuyển hay lưu kho, tháo pin ra khỏi dụng cụ điện.** Có nguy cơ gây thương tích khi vô tình làm kích hoạt công tắc Tắt/Mở.

Xoay Bàn Chặn (xem hình D)

Nhờ vào tính dễ chuyển dịch, bàn chặn điều chỉnh được **2** đáp ứng được góc độ ở vị trí cần có trên bề mặt.

Mách nước

► **Khi cưa các loại vật liệu xây dựng nhẹ, tuân thủ các điều luật đã được qui định cũng như các khuyến cáo của nhà cung cấp vật liệu.**

Kiểm tra gỗ, ván ép, vật liệu xây dựng v. v.. để tìm xem có các đồ vật lạ như đinh, vít hay các vật tương tự, và sau đó lấy chúng ra, nếu thấy cần.

Cho máy hoạt động và đưa thẳng vào vật gia công. Đặt bàn chặn **2** lên trên bề mặt gia công và cưa xuyên qua vật liệu với lực áp máy và gia tải đồng đều. Sau khi hoàn tất công đoạn gia công, tắt máy.

Nếu giá như lưỡi cưa bị kẹp chặt, tắt máy ngay lập tức. Mở rộng miệng cắt vừa đủ bằng một dụng cụ thích hợp và kéo máy ra.

Cắt Xọc (xem hình E)

► **Qui trình cắt xọc chỉ thích hợp để xử lý các loại vật liệu mềm như gỗ, thạch cao tấm hay vật liệu tương tự! Không được áp dụng qui trình cắt xọc với vật liệu là kim loại!**

Chỉ sử dụng lưỡi cưa ngắn để cắt xọc.

Đặt máy với cạnh mũi của bàn chặn **2** tựa lên trên vật gia công và mở máy. Đối với dụng cụ điện có bộ phận kiểm soát tốc độ nhịp chạy, chỉnh đặt ở tốc độ phân chạy tối đa. Khiến dẫn dụng cụ điện thật chắc tay xuống vật gia công và để cho lưỡi cưa từ từ đâm xọc vào vật gia công.

Ngay sau khi bàn chặn **2** nằm hoàn toàn trên bề mặt của vật liệu, tiếp tục cưa dọc theo đường cưa yêu cầu.

Đối với loại công việc cụ thể nào đó, lưỡi cưa **1** cũng có thể lắp vào và xoay 180° và ta có thể khiến dẫn cưa kiểm một cách thích hợp theo cách ngược lại.

Cắt Bằng Mặt (xem hình F)

Sử dụng lưỡi cưa lưỡng kim đàn hồi, ta có thể cưa đứt vật vẫn còn cắm dính trên tường (vd. vật liệu xây dựng nằm nhô ra như là ống nước, v. v..) ngang bằng với mặt tường.

► **Hãy lưu ý rằng lưỡi cưa luôn luôn vươn rộng hơn đường kính của vật liệu được gia công. Có nguy cơ bị giật ngược.**

Đặt lưỡi cưa trực tiếp dựa lên trên tường và tạo lực đè ngang lên dụng cụ cho đến khi bàn chặn tựa vào tường. Cho dụng cụ điện hoạt động và cưa xuyên ngang vật gia công, giữ đều tay áp lực ngang.

Dung dịch làm mát/Bôi trơn

Khi cưa kim loại vật liệu gia công bị nóng lên, do đó; nên bôi dung dịch làm mát/bôi trơn dọc theo đường cắt.

Các Khuyến Nghị về Cách Bảo Dưỡng Tốt Nhất cho Pin

Tránh không để pin ở nơi ẩm ướt hoặc có nước.

Chỉ bảo quản pin trong tầm nhiệt độ nằm giữa -20 °C và 50 °C. Ví dụ, không để pin trong xe ô tô vào mùa hè.

Thỉnh thoảng làm sạch các khe thông gió của pin bằng cách dùng một cái cọ khô, mềm và sạch.

Sự giảm thời gian hoạt động một cách rõ rệt sau khi nạp điện chỉ cho thấy rằng pin đã được sử dụng và phải được thay.

Tuân thủ các chú thích dành cho việc thải bỏ.

Bảo Dưỡng và Bảo Quản**Bảo Dưỡng Và Làm Sạch**

► **Trước khi tiến hành bất cứ công việc gì với máy (vd., bảo dưỡng, thay dụng cụ v.v..) cũng như khi vận chuyển hay lưu kho, tháo pin ra khỏi dụng cụ điện.** Có nguy cơ gây thương tích khi vô tình làm kích hoạt công tắc Tắt/Mở.

► **Để được an toàn và máy hoạt động đúng chức năng, luôn luôn giữ máy và các khe thông gió được sạch.**

Làm sạch phần lắp ráp lưỡi cưa bằng hơi nén hay bằng một cọ mềm tùy ý. Tháo lưỡi cưa ra khỏi dụng cụ điện để thực hiện việc làm sạch này. Tra loại dầu nhờn thích hợp vào phần lắp ráp lưỡi cưa để đảm bảo bộ phận này hoạt động được tốt.

44 | Tiếng Việt

Máy bị quá dơ có thể làm cho sự hoạt động bị trục trặc. Vì vậy, không nên cưa vật liệu tạo nhiều bụi ở mặt dưới vật liệu hoặc cao quá đầu.

Dịch Vụ Sau Khi Bán và Dịch Vụ Ứng Dụng

Bộ phận phục vụ hàng sau khi bán của chúng tôi sẽ trả lời các câu hỏi liên quan đến việc bảo trì và sửa chữa các sản phẩm cũng như các phụ tùng thay thế của bạn. Hình ảnh chi tiết và thông tin phụ tùng thay thế có thể tìm hiểu theo địa chỉ dưới đây:

www.bosch-pt.com

Bộ phận dịch vụ ứng dụng Bosch sẽ hân hạnh trả lời các câu hỏi liên quan đến các sản phẩm của chúng tôi và linh kiện của chúng.

Trong mọi thư từ giao dịch và đơn đặt hàng phụ tùng, xin vui lòng luôn viết đủ 10 con số đã được ghi trên nhãn máy.

Việt Nam

Công ty Trách Nhiệm Hữu Hạn Robert Bosch
Việt Nam, PT/SVN
Tầng 10, 194 Golden Building
473 Điện Biên Phủ
Phường 25, Quận Bình Thạnh
Thành Phố Hồ Chí Minh
Việt Nam
Tel.: (08) 6258 3690 Ext 413
Fax: (08) 6258 3692
hie.u.lagia@vn.bosch.com
www.bosch-pt.com

Vận Chuyển

Pin có chứa lithium-ion là đối tượng phải tuân theo các qui định của Pháp Luật về Hàng Hóa Nguy Hiểm. Người sử dụng có thể vận chuyển pin bằng đường bộ mà không cần có thêm yêu cầu nào khác. Khi được vận chuyển thông qua bên thứ ba (vd. vận chuyển bằng đường hàng không hay đại lý giao nhận), phải tuân theo các yêu cầu đặc biệt về đóng gói và dán nhãn. Để chuẩn bị cho món hàng sẽ được gửi đi, cần tham khảo ý kiến của chuyên gia về vật liệu nguy hiểm.

Chỉ gửi pin đi khi vỏ ngoài không bị hư hỏng. Dán băng keo hay che kín các điểm tiếp xúc để hở và đóng gói pin cách sao cho pin không thể xô dịch khi nằm trong bao bì được.

Cũng xin vui lòng tuân theo qui định chi tiết có thể có của mỗi quốc gia.

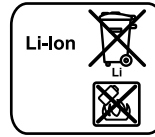
Thải bỏ



Máy, pin nạp điện lại được, phụ kiện và bao bì phải được phân loại để tái chế theo hướng thân thiện với môi trường.

Không được vứt bỏ dụng cụ điện, pin/pin nạp điện lại được vào chung với rác sinh hoạt!

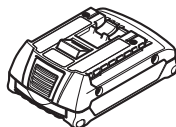
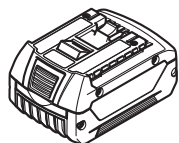
Pin lỏng/pin:



Li-ion:

Xin vui lòng tuân thủ theo thông tin dưới đây "Vận Chuyển", trang 44.

Được quyền thay đổi nội dung mà không phải thông báo trước.



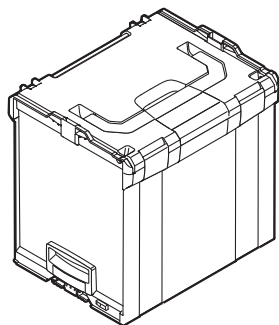
GBA 18 V ...



AL 1860 CV



AL 1820 CV



**2 608 438 694
(L-BOXX 374)**